



REV.	ECN NO.	REVISED	DATE

NOTE:

1.MATERIAL:

- a.HOUSING:PP RESIN
- b.SPRING:SPRING WIRE $\phi 0.64\text{MM}$ 65C
- c.PC PINS:BRASS $\phi 0.8\text{MM}$
(SURFACE PLATING: Ni-PLATING)
SEE ORDERING INFORMATION

2.ELECTRIC:

- a.DIELECTNIC VOLTAGE: 500V AC ONE SEC LEVEL
- b.OPERATING TEMPERATURE: $-10^{\circ}\text{C} \sim +80^{\circ}\text{C}$

ORDERING INFORMATION

BH-14250-A1AJ001

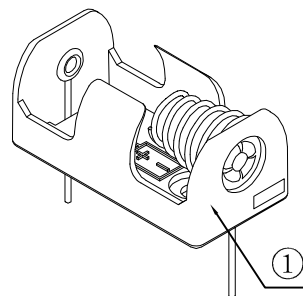
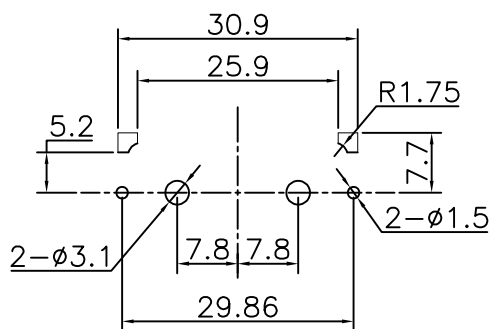
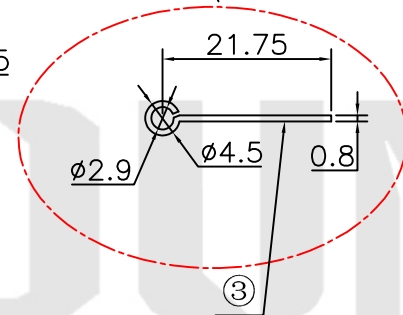
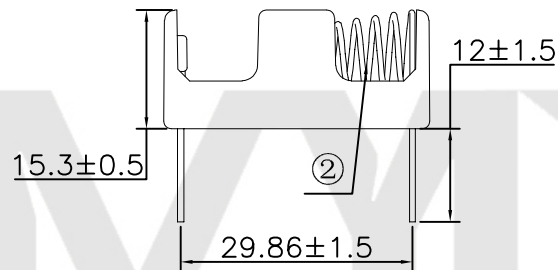
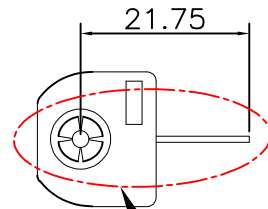
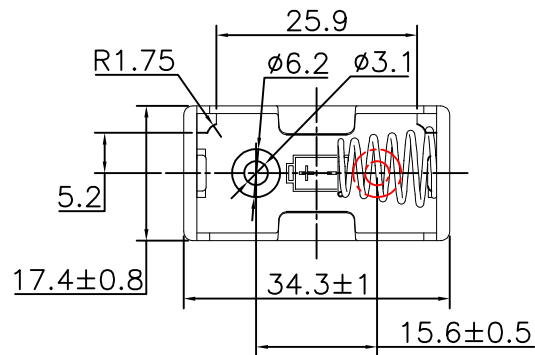
电池盒

电池型号

DIP 90° TYPE

PLATING:
A-Au1U"
J-Ni100U"~120U"
K-Sn100U"~120U"

MATERIAL:
1A-PP BLACK
1B-PA66 BLACK
2A-PPA BROWN
2B-PPA BLACK
3A-PPS BROWN
3B-PPS BLACK
4A-LCP WHITE
4B-LCP BLACK
5A-PA9T BLACK



PCB Layout Diagram
TOP View

3	PC PINS	2	BRASS $\phi 0.8\text{MM}$	Ni-Plating
2	SPRING	1	SPRING WIRE $\phi 0.64\text{MM}$ 65C	Ni-Plating
1	HOUSING	1	PP RESIN	BLACK
NO.	PART NAME	Q'TY	MATERIAL	PLATING & COLOR

UNLESS OTHERWISE SPECIFIED TOLERANCES		MYOUNG 美阳 www.meiyangdz.com			
DECIMALS: X :±0.30 X.X :±0.25 X.XX :±0.20 X.XXX :±0.10	ANGLES: X :±1° X.X :±0.5°	DSND	YangFeng	DATE	2023-04-14
		CHKD	ZhouRuicai	DATE	2023-04-14
		APVD	XueShunyong	DATE	2023-04-14
WEIGHT:		SCALE:	SIZE: A4	VIEW:	
SHEET 1 OF 1		UNIT: mm	REV.: A/1	OBJECT: MY	TITLE: 电池盒BH-14250-1J Ni DIP 弹簧
		PART NO.:		BH-14250-A1AJ001	
		DRAW NO.:WD-CP-0077			