



REV.	ECN NO.	REVISED	DATE

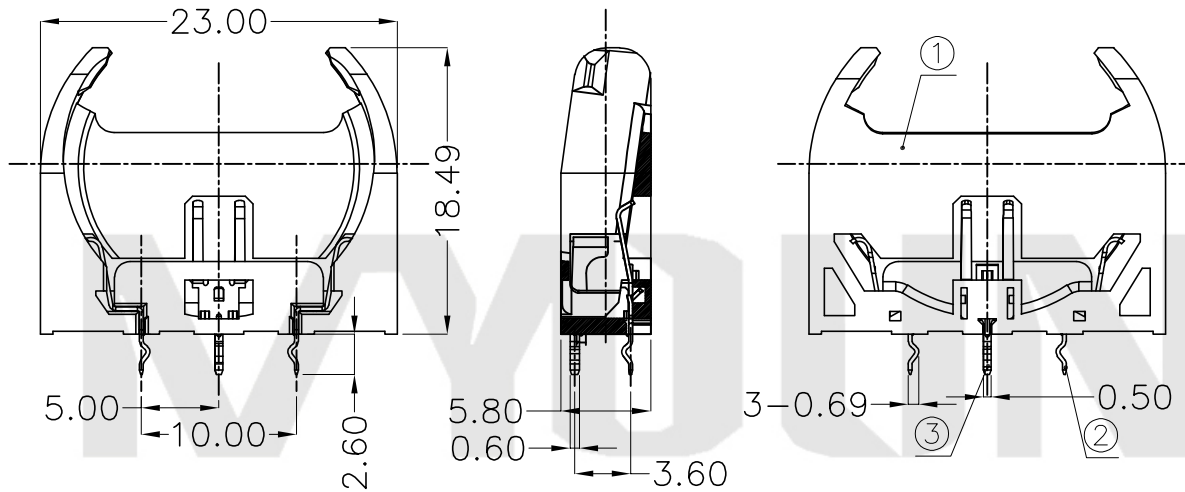
NOTE:

1.MATERIAL:

- a.HOUSING:PA66 UL94V-0
- b.CONTACT:304 Stainless Steel  
(SURFACE PLATING: Gold Flash Matte Tin)
- SEE ORDERING INFORMATION

2.ELECTRIC:

- a.CONTACT RESISTANCE: 50 MILLIOHMS MAX
- b.INSULATION RESISTANCE: 100 MEGA OHMS MIN
- c.DIELECTNIC VOLTAGE: 500V AC ONE SEC LEVEL
- d.OPERATING TEMPERATURE: -25°C~ +85°C



ORDERING INFORMATION

BS-05-A\*\*\*004

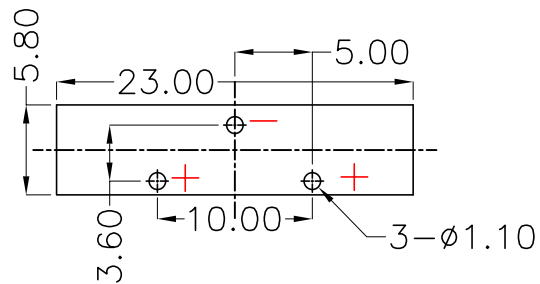
电池座系列

BS-05系列

DIP 90° TYPE

PLATING:  
 A-Au1U"  
 J-Ni100U"~120U"  
 K-Sn100U"~120U"

MATERIAL:  
 1A-PBT BLACK  
 1B-PA66 BLACK  
 2A-PPA BROWN  
 2B-PPA BLACK  
 3A-PPS BROWN  
 3B-PPS BLACK  
 4A-LCP WHITE  
 4B-LCP BLACK



PCB Layout Diagram  
Top View



3	TERMINAL(-)	1	304 Stainless Steel, T=0.25MM	Gold Flash Matte Tin
2	TERMINAL(+)	1	304 Stainless Steel, T=0.25MM	Gold Flash Matte Tin
1	HOUSING	1	PA66	BLACK
NO.	PART NAME	Q'TY	MATERIAL	PLATING & COLOR

UNLESS OTHERWISE SPECIFIED TOLERANCES		<b>MYOUNG 美用</b> <a href="http://www.meiyangdz.com">www.meiyangdz.com</a>	
DECIMALS: X :±0.30 X.X :±0.25 X.XX :±0.20 X.XXX :±0.10	ANGLES: X :±1° X.X :±0.5°	DSND YangFeng	DATE 2020-08-31
WEIGHT: 0.68g		CHKD ZhouRuicai	DATE 2020-08-31
SHEET 1 OF 1		APVD XueShunYong	DATE 2020-08-31
UNIT: mm	REV.: A/0	SCALE: 2:1	VIEW:
OBJECT: MY	DRAW NO.:WD-CP-0144	TITLE: BS-2032-5-4 DIP半金锡 H2.6	PART NO.: BS-05-A1BAK004