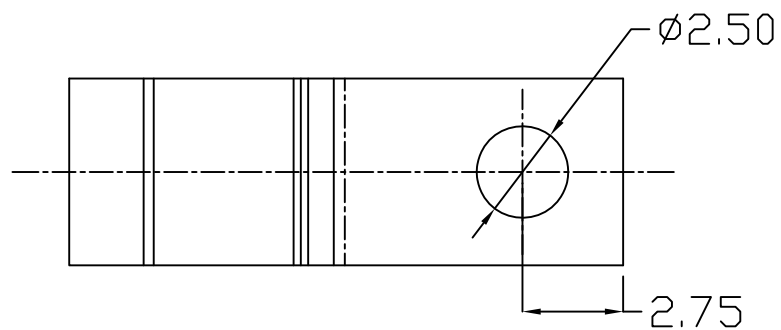
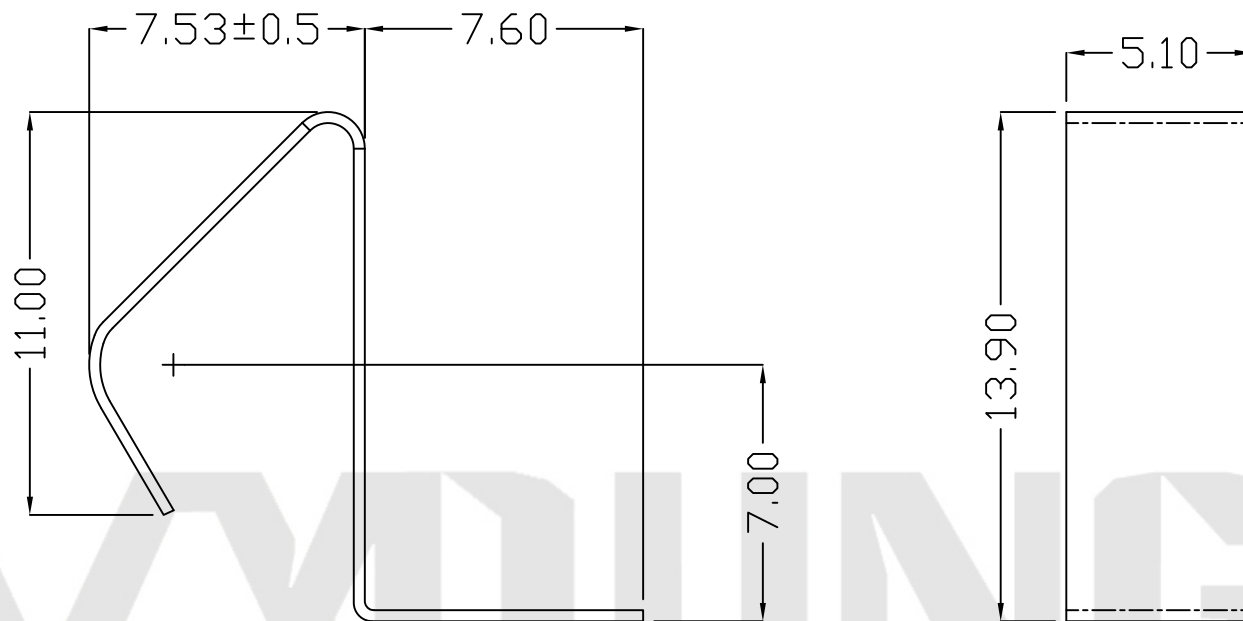




REV.	ECN NO.	REVISED	DATE



工程部
2020-08-25
H. WANG

技术要求:

- 1、截剪断面毛刺高度 $\leq 0.03\text{mm}$;
- 2、部件要求平整,无变形、裂纹、损伤等外观缺陷;

UNLESS OTHERWISE SPECIFIED TOLERANCES		MYOUNG 美阳 www.meiyangdz.com	
DECIMALS: X :±0.30 X.X :±0.25 X.XX :±0.20 X.XXX :±0.10	ANGLES: X :±1° X.X :±0.5°	DSND YangFeng	DATE 2020-08-25
WEIGHT:		CHKD ZhouRuicai	DATE 2020-08-25
SHEET 1 OF 1		APVD XueShunyong	DATE 2020-08-25
		SCALE:	SIZE: A4
		UNIT: mm	VIEW:
		REV.: A/0	OBJECT: MY
		TITLE: 电池弹片-122 K 正极 SMT	
		PART NO.: MY-ZJ-00	
		DRAW NO.:WD-CP-0102	

1	TERMINAL(+)	1	STEEL T=0.3MM	Ni-Plating
NO.	PART NAME	Q'TY	MATERIAL	PLATING & COLOR