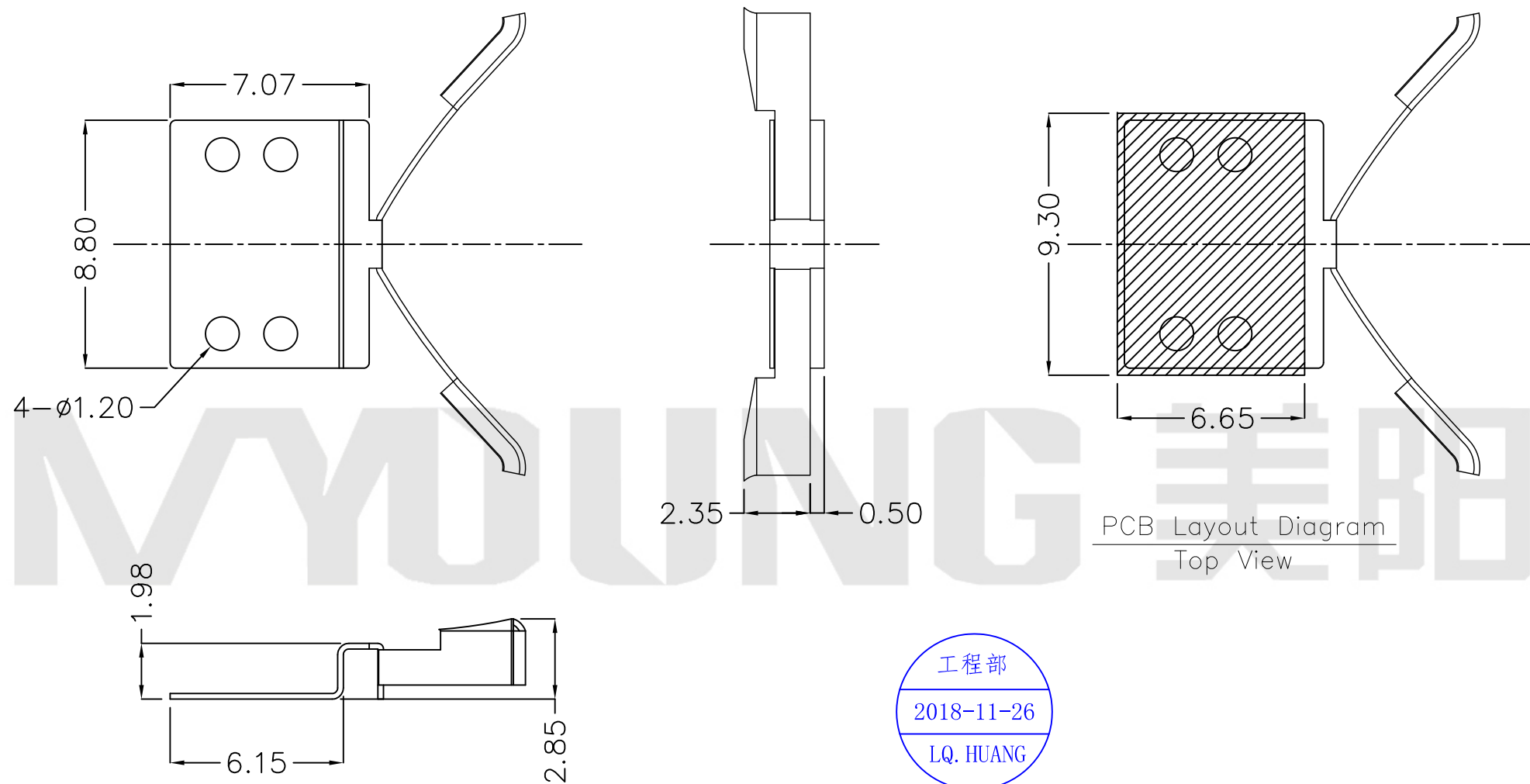




REV.	ECN NO.	REVISED	DATE



工程部  
2018-11-26  
LQ. HUANG

技术要求:

- 1、截断面毛刺高度 $\leq 0.03\text{mm}$ ;
- 2、部件要求平整,无变形、裂纹、损伤等外观缺陷;

UNLESS OTHERWISE SPECIFIED TOLERANCES		<b>MYOUNG 美阳</b> <a href="http://www.meiyangdz.com">www.meiyangdz.com</a>	
DECIMALS: X :±0.30 X.X :±0.25 X.XX :±0.20 X.XXX :±0.10	ANGLES: X :±1° X.X :±0.5°	DSND YangFeng	DATE 2018-11-26
		CHKD ZhouRuicai	DATE 2018-11-26
		APVD XueShunyong	DATE 2018-11-26
WEIGHT:		SCALE:	SIZE: A4
SHEET 1 OF 1		UNIT: mm	REV.: A/0
		VIEW:	OBJECT: MY
		TITLE: 电池接触片-114 正极 SMT	
		PART NO.: MY-ZJ-114	
		DRAW NO.:MY-CP-0171	

1	TERMINAL +	1	PHOSPHOR BRONZE, T=0.20mm	Au or Ni-Plating
NO.	PART NAME	Q'TY	MATERIAL	PLATING & COLOR
1				