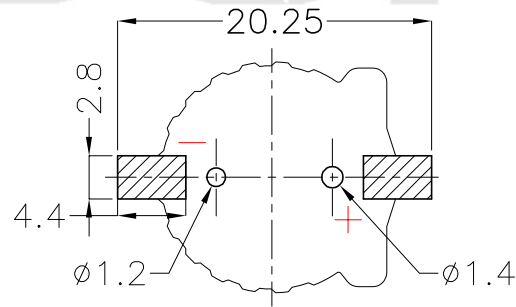
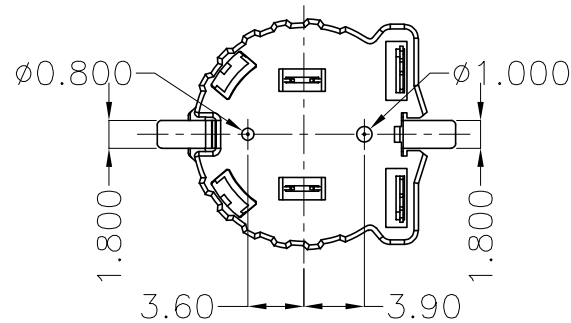
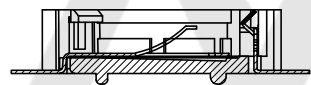
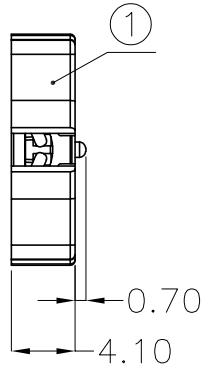
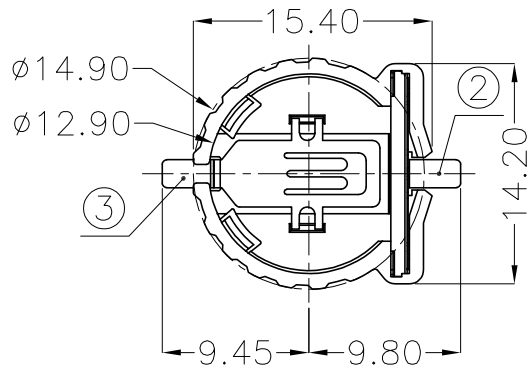




REV.	ECN NO.	REVISED	DATE

- 1.MATERIAL:
a.HOUSING:PPS UL94V-0
b.CONTACT:PHOSPHOR BRONZE
(SURFACE PLATING:“Au1u”)
SEE ORDERING INFORMATION
- 2.ELECTRIC:
a.CONTACT RESISTANCE: 30 MILLIOHMS MAX
b.INSULATION RESISTANCE: 100 MEGA OHMS MIN
c.DIELECTNIC VOLTAGE: 500V AC ONE SEC LEVEL
d.OPERATING TEMPERATURE: -25°C~ +85°C



ORDERING INFORMATION

BS-12-B3AA008

电池座系列

BS-12系列

SMT 180° TYPE

PLATING:
A-Au1U"
J-Ni100U"~120U"
K-Sn100U"~120U"

MATERIAL:
1A-PBT BLACK
1B-PA66 BLACK
2A-PPA BROWN
2B-PPA BLACK
3A-PPS BROWN
3B-PPS BLACK
4A-LCP WHITE
4B-LCP BLACK

工程部
2017-06-28
ZW DANG

PCB Layout Diagram
Top View

UNLESS OTHERWISE SPECIFIED TOLERANCES		MYOUNG 美阳 www.meiyangdz.com	
DECIMALS: X :±0.30 X.X :±0.25 X.XX :±0.20 X.XXX :±0.10	ANGLES: X :±1° X.X :±0.5°	DSND YangFeng	DATE 2017-06-28
WEIGHT: 0.63g SHEET 1 OF 1		CHKD ZhouRuicai	DATE 2017-06-28
		APVD XueShunyong	DATE 2017-06-28
TITLE: BS-1220-2 PPS SMT 负极加宽		PART NO.: BS-12-B3AA008	
UNIT: mm		SCALE: 2:1	VIEW:
REV.: A/0		SIZE: A4	OBJECT: MY
DRAW NO.:MY-CP-0055			

NO.	PART NAME	Q'TY	MATERIAL	PLATING & COLOR
3	TERMINAL(-)	1	PHOSPHOR BRONZE, T=0.20mm	Gold Plating and Ni Under-Plating
2	TERMINAL(+)	1	PHOSPHOR BRONZE, T=0.20mm	Gold Plating and Ni Under-Plating
1	HOUSING	1	PPS	BROWN