



REV.	ECN NO.	REVISED	DATE

NOTE:

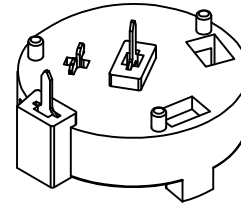
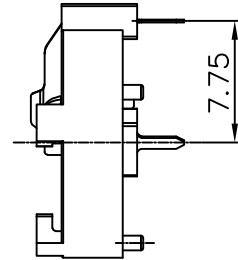
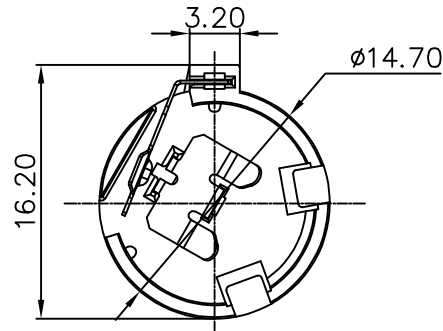
1.MATERIAL:

- a.HOUSING:PBT BLACK
- b.CONTACT:PHOSPHOR BRONZE
(SURFACE PLATING: Ni100U~120U)

SEE ORDERING INFORMATION

2.ELECTRIC:

- a.CONTACT RESISTANCE: 100 MILLIOHMS MAX
- b.INSULATION RESISTANCE: 100 MEGA OHMS MIN
- c.DIELECTNIC VOLTAGE: 500V AC ONE SEC LEVEL
- d.OPERATING TEMPERATURE: -25° C~ +85° C



ORDERING INFORMATION

BS-12-A1AJ017-F

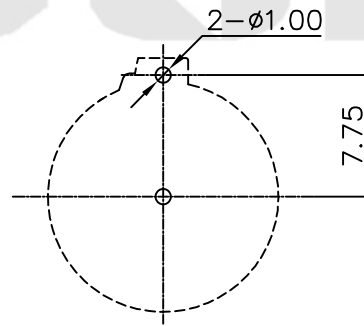
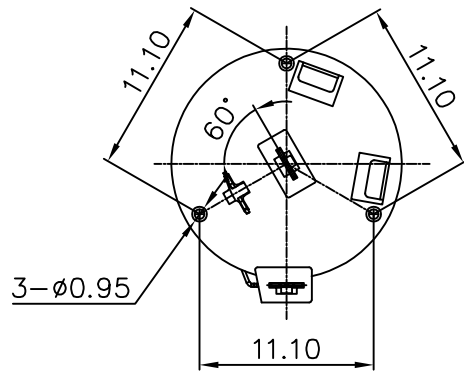
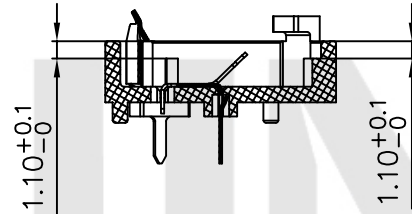
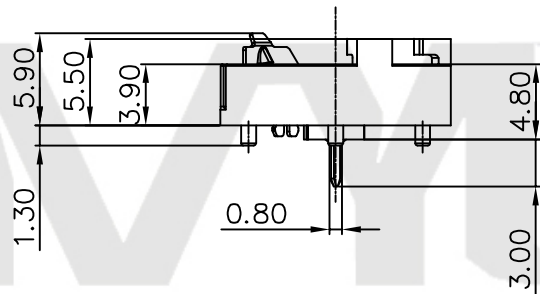
电池座系列

BS-12系列

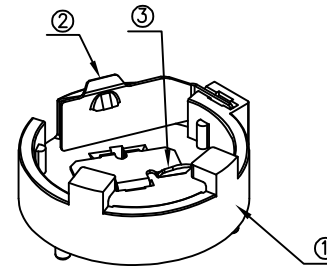
DIP 90° TYPE

PLATING:
A-Au1U"
J-Ni100U~120U"
K-Sn100U~120U"

MATERIAL:
1A-PBT BLACK
1B-PA66 BLACK
2A-PPA BROWN
2B-PPA BLACK
3A-PPS BROWN
3B-PPS BLACK
4A-LCP WHITE
4B-LCP BLACK



PCB Layout Diagram
Top View



③	TERMINAL(-)	1	PHOSPHOR BRONZE, T=0.20mm	Ni-Plating
②	TERMINAL(+)	1	PHOSPHOR BRONZE, T=0.20mm	Ni-Plating
①	HOUSING	1	PBT	BLACK
NO.	PART NAME	Q'TY	MATERIAL	PLATING & COLOR

UNLESS OTHERWISE SPECIFIED TOLERANCES		MYOUNG 美用 www.meiyangdz.com	
DECIMALS: X :±0.30 X.X :±0.25 X.XX :±0.20 X.XXX :±0.10	ANGLES: X :±1° X.X :±0.5°	DSND YangFeng	DATE 2019-11-18
		CHKD ZhouRuicai	DATE 2019-11-18
		APVD XueShunyong	DATE 2019-11-18
WEIGHT:		SCALE:	VIEW:
SHEET 1 OF 1		SIZE: A4	UNIT: mm
		REV.: A/0	OBJECT: MY
		TITLE: BS-1220-1-F Ni DIP 反向 负极改结构	
		PART NO.: BS-12-A1AJ017-F	
		DRAW NO.:MY-CP-0240	