



| | | | |
|------|---------|---------|------|
| REV. | ECN NO. | REVISED | DATE |
| | | | |

NOTE:

1.MATERIAL:

a.HOUSING:PBT BLACK

b.CONTACT:STEEL

(SURFACE PLATING: Ni100U"~120U")

SEE ORDERING INFORMATION

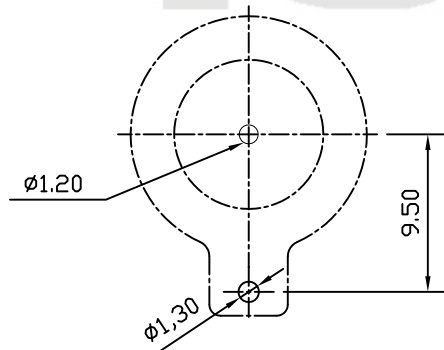
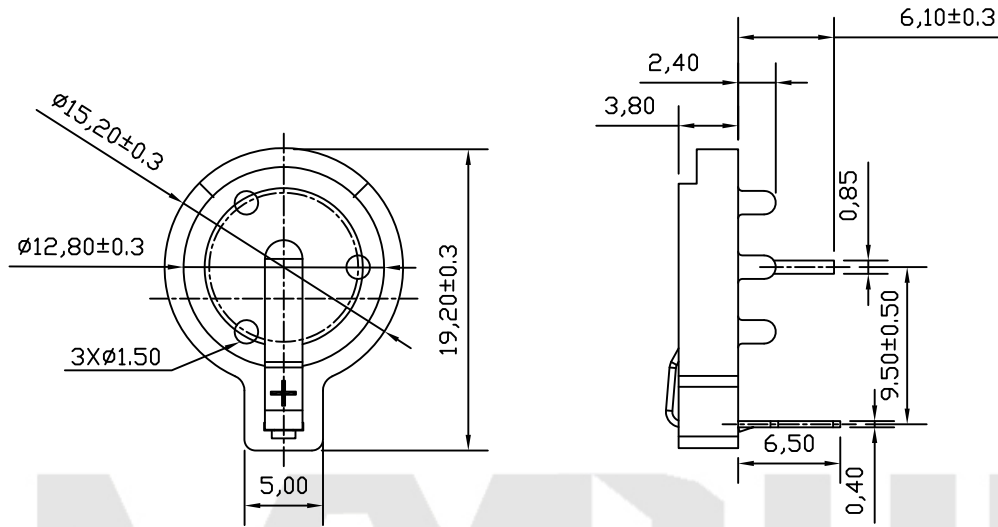
2.ELECTRIC:

a.CONTACT RESISTANCE: 30 MILLIOHMS MAX

b.INSULATION RESISTANCE: 1000 MEGA OHMS MIN

c.DIELECTNIC VOLTAGE: 500V AC ONE SEC LEVEL

d.OPERATING TEMPERATURE: -25° C~ +85° C



PCB Layout Diagram
Top View

ORDERING INFORMATION
BS-12-A***019

电池座系列

BS-12系列

DIP 90° TYPE

PLATING:
A-Au1U"
J-Ni100U"~120U"
K-Sn100U"~120U"

MATERIAL:
1A-PBT BLACK
1B-PA66 BLACK
2A-PPA BROWN
2B-PPA BLACK
3A-PPS BROWN
3B-PPS BLACK
4A-LCP WHITE
4B-LCP BLACK

工程部

2021-06-22

H. WANG

| | | | | | |
|--|---------------------------------|---|-------------|---------|------------|
| UNLESS OTHERWISE SPECIFIED TOLERANCES | | MYOUNG 美阳 www.meiyangdz.com | | | |
| DECIMALS: X :±0.30 X.X :±0.25 X.XX :±0.20 X.XXX :±0.10 | ANGLES: X :±1° X.X :±0.5° | DSND | YangFeng | DATE | 2021-06-22 |
| WEIGHT: | | CHKD | ZhouRuicai | DATE | 2021-06-22 |
| SHEET 1 OF 1 | | APVD | XueShunyong | DATE | 2021-06-22 |
| TITLE: | | BS-1220-1 Ni DIP | | | |
| PART NO.: | | BS-12-A1AJ019 | | | |
| SCALE: | | UNIT: | mm | REV.: | A/1 |
| VIEW: | | SIZE: | A4 | OBJECT: | MY |
| DRAW NO.: | | WD-CP-0094 | | | |

| NO. | PART NAME | Q'TY | MATERIAL | PLATING & COLOR |
|-----|-------------|------|-----------------|-----------------|
| ③ | TERMINAL(-) | 1 | STEEL, T=0.85mm | Ni-Plating |
| ② | TERMINAL(+) | 1 | STEEL, T=0.40mm | Ni-Plating |
| ① | HOUSING | 1 | PBT | BLACK |