



REV.	ECN NO.	REVISED	DATE

NOTE:

1.MATERIAL:

a.HOUSING:PA66 UL94V-0

b.CONTACT:BRASS

(SURFACE PLATING: Ni100u"-120u")

SEE ORDERING INFORMATION

2.ELECTRIC:

a.CONTACT RESISTANCE: 100 MILLIOHMS MAX

b.INSULATION RESISTANCE: 100 MEGA OHMS MIN

c.DIELECTRIC VOLTAGE: 500V AC ONE SEC LEVEL

d.OPERATING TEMPERATURE: -25° C~ +85° C

ORDERING INFORMATION

BS-04-A***004

电池座系列

BS-04系列

DIP 90° TYPE

PLATING:

A-Au1U"

J-Ni100U"~120U"

K-Sn100U"~120U"

MATERIAL:

1A-PBT BLACK

1B-PA66 BLACK

2A-PPA BROWN

2B-PPA BLACK

3A-PPS BROWN

3B-PPS BLACK

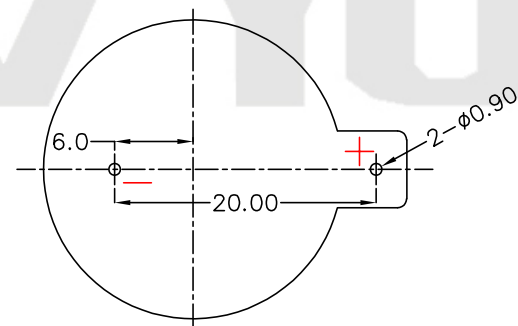
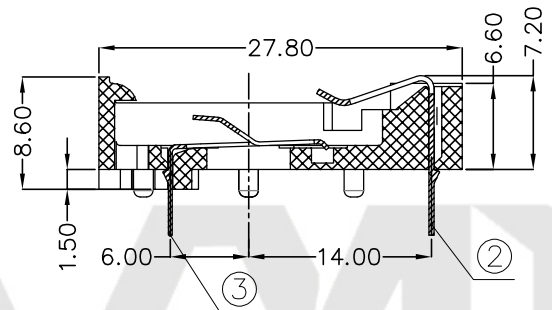
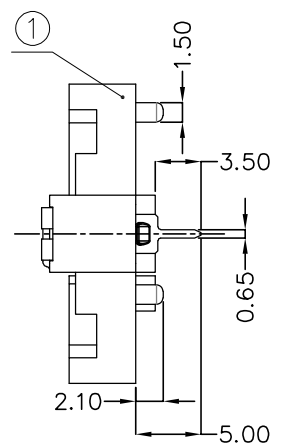
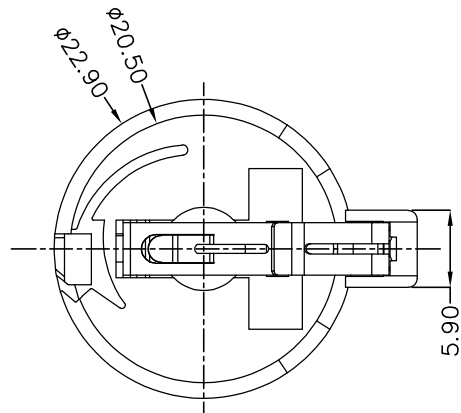
4A-LCP WHITE

4B-LCP BLACK

工程部

2018-10-10

LQ. HUANG



PCB Layout Diagram
Top View

3	TERMINAL(-)	1	BRASS T=0.3MM	Ni-Plating
2	TERMINAL(+)	1	BRASS T=0.4MM	Ni-Plating
1	HOUSING	1	PA66 UL94V-0	BLACK
NO.	PART NAME	Q'TY	MATERIAL	PLATING & COLOR

UNLESS OTHERWISE SPECIFIED TOLERANCES		MYOUNG 美阳 www.meiyangdz.com			
DECIMALS: X :±0.30 X.X :±0.25 X.XX :±0.20 X.XXX :±0.10	ANGLES: X :±1° X.X :±0.5°	DSND	YangFeng	DATE	2018-10-10
		CHKD	ZhouRuicai	DATE	2018-10-10
		APVD	XueShunyong	DATE	2018-10-10
		WEIGHT:	1.78g	SCALE:	SIZE: A4
		SHEET 1 OF 1		VIEW:	⊕ ⊞
		UNIT:	mm	REV.:	A/0
		OBJECT:	MY	TITLE: BS-2032-4-1 Ni DIP	
				PART NO.: BS-04-A1BJ004	
				DRAW NO.:MY-CP-0142	