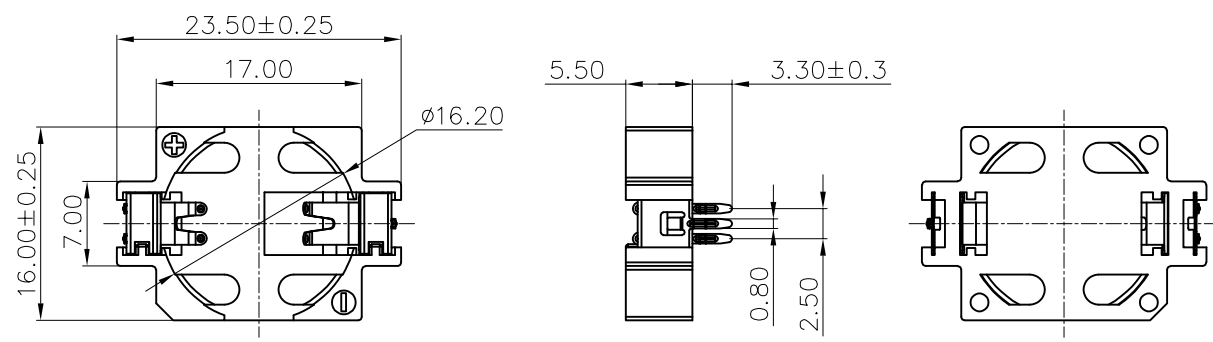


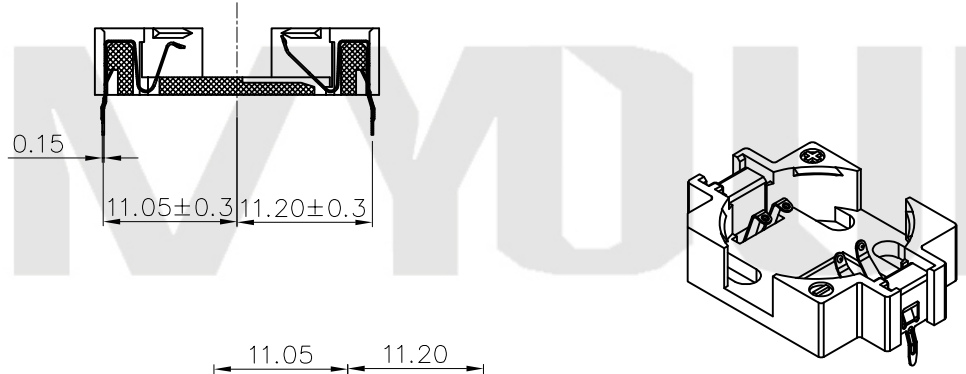


REV.	ECN NO.	REVISED	DATE

NOTE:
 1.MATERIAL:
 a.HOUSING:LCP WHITE
 b.CONTACT:PHOSPHOR BRONZE
 (SURFACE PLATING: Sn100U"~120U")
 SEE ORDERING INFORMATION
 2.ELECTRIC:
 a.CONTACT RESISTANCE: 50 MILLIOHMS MAX
 b.INSULATION RESISTANCE: 100 MEGA OHMS MIN
 c.DIELECTNIC VOLTAGE: 500V AC ONE SEC LEVEL
 d.OPERATING TEMPERATURE: -25° C~ +85° C

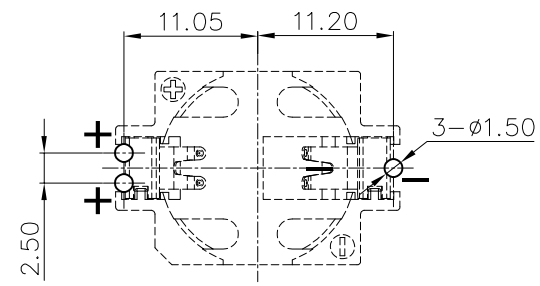


ORDERING INFORMATION
BS-16-A4AK006



PLATING:
 A-Au1U"
 J-Ni100U"~120U"
 K-Sn100U"~120U"
 MATERIAL:
 1A-PBT BLACK
 1B-PA66 BLACK
 2A-PPA BROWN
 2B-PPA BLACK
 3A-PPS BROWN
 3B-PPS BLACK
 4A-LCP WHITE
 4B-LCP BLACK
 5A-PA9T BLACK

工程部
 2020-05-12
 LQ. HUANG



PCB Layout Diagram
 TOP View

3	TERMINAL-	1	PHOSPHOR BRONZE, T=0.15mm	Sn-Plating
2	TERMINAL+	1	PHOSPHOR BRONZE, T=0.15mm	Sn-Plating
1	HOUSING	1	LCP	WHITE
NO.	PART NAME	Q'TY	MATERIAL	PLATING & COLOR

UNLESS OTHERWISE SPECIFIED TOLERANCES		MYOUNG 美阳 www.meiyangdz.com	
DECIMALS: X :±0.30 X.X :±0.25 X.XX :±0.20 X.XXX :±0.10	ANGLES: X :±1° X.X :±0.5°	DSND YangFeng	DATE 2020-05-12
WEIGHT:		CHKD ZhouRuicai	DATE 2020-05-12
SHEET 1 OF 1		APVD XueShunyong	DATE 2020-05-12
TITLE: BS-1632-1 Sn DIP		SCALE:	VIEW:
PART NO.: BS-16-A4AK006		SIZE: A4	REV.: A/0
DRAW NO.:MY-CP-0223		UNIT: mm	OBJECT: MY