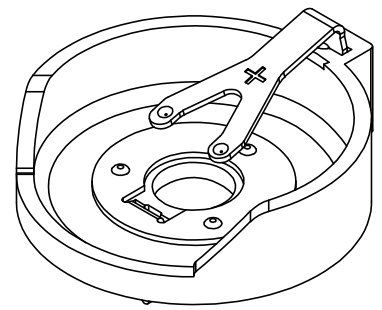
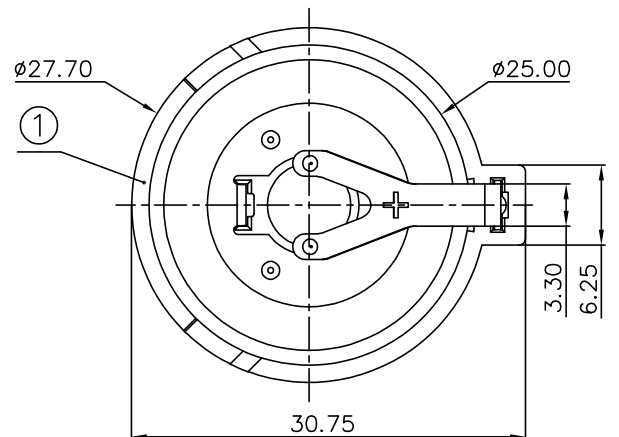


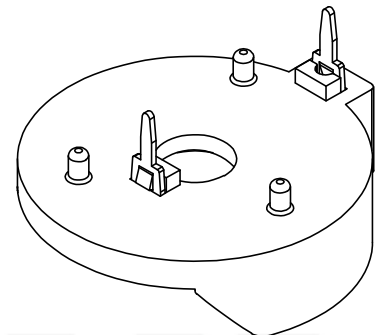


REV.	ECN NO.	REVISED	DATE



NOTE:
 1.MATERIAL:
 a.HOUSING:PBT
 b.CONTACT:Mn Steel
 (SURFACE PLATING: Ni100u"-120u")
 SEE ORDERING INFORMATION

2.ELECTRIC:
 a.CONTACT RESISTANCE: 100 MILLIOHMS MAX
 b.INSULATION RESISTANCE: 100 MEGA OHMS MIN
 c.DIELECTNIC VOLTAGE: 500V AC ONE SEC LEVEL
 d.OPERATING TEMPERATURE: -25°C ~ +85°C

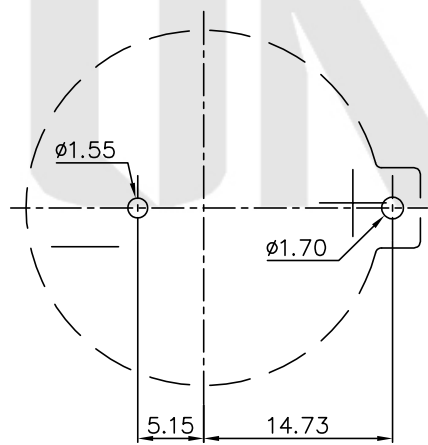
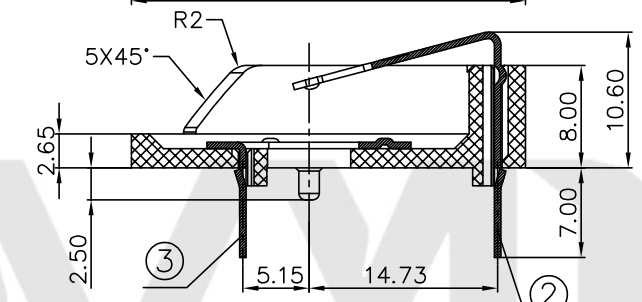


ORDERING INFORMATION
BS-24-A1AJ022

电池座系列
 BS-24系列
 DIP 90° TYPE

PLATING:
 A-Au1U"
 J-Ni100U"~120U"
 K-Sn100U"~120U"

MATERIAL:
 1A-PBT BLACK
 1B-PA66 BLACK
 2A-PPA BROWN
 2B-PPA BLACK
 3A-PPS BROWN
 3B-PPS BLACK
 4A-LCP WHITE
 4B-LCP BLACK



PCB Layout Diagram
 Top View



3	TERMINAL(-)	1	Mn Steel,T=0.50mm	Ni Plating
2	TERMINAL(+)	1	Mn Steel,T=0.50mm	Ni Plating
1	HOUSING	1	PBT	BLACK
NO.	PART NAME	Q'TY	MATERIAL	PLATING & COLOR

UNLESS OTHERWISE SPECIFIED TOLERANCES		MYOUNG 美用 www.meiyangdz.com	
DECIMALS: X :±0.30 X.X :±0.25 X.XX :±0.20 X.XXX :±0.10	ANGLES: X :±1° X.X :±0.5°	DSND YangFeng	DATE 2020-05-20
		CHKD ZhouRuicai	DATE 2020-05-20
		APVD XueShun Yong	DATE 2020-05-20
WEIGHT: 9		SCALE:	VIEW:
SHEET 1 OF 1		SIZE: A4	REV.: A/0
		UNIT: mm	OBJECT: MY
		TITLE: BS-2477-2 DIP 正极双叉	
		PART NO.: BS-24-A1AJ022	
		DRAW NO.:MY-CP-0225	