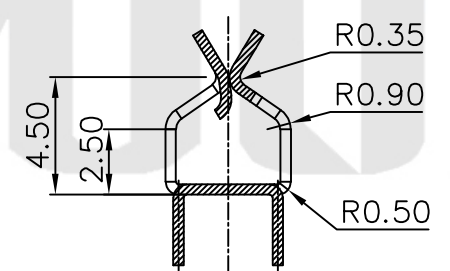
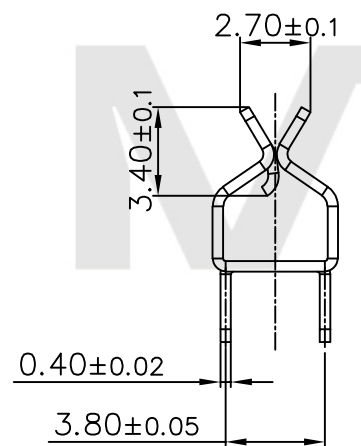
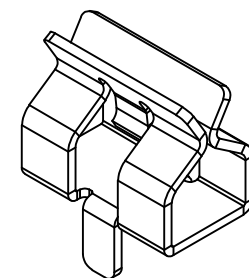
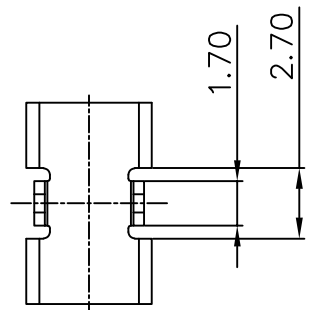
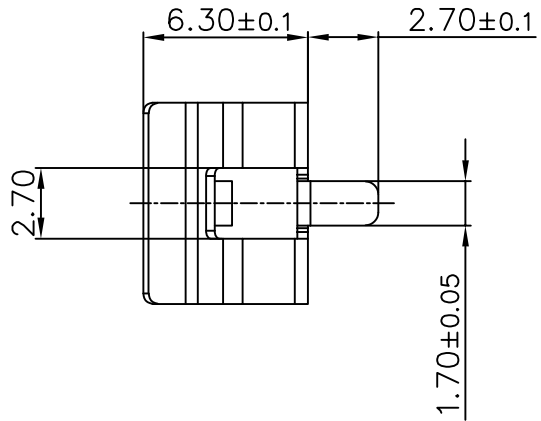
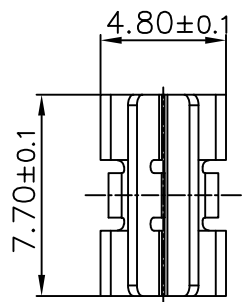


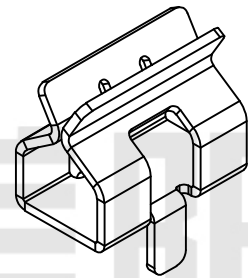


REV.	ECN NO.	REVISED	DATE



A-A SECTION

工程部
2019-11-22
LQ. HUANG



技术要求:

- 1、截断面毛刺高度 $\leq 0.03\text{mm}$;
- 2、部件要求平整,无变形、裂纹、损伤等外观缺陷;
- 3、电镀后产品盐雾测试达48小时;

UNLESS OTHERWISE SPECIFIED TOLERANCES		MYOUNG 美阳 www.meiyangdz.com			
DECIMALS: X :±0.30 X.X :±0.25 X.XX :±0.20 X.XXX :±0.10	ANGLES: X :±1° X.X :±0.5°	DSND	YangFeng	DATE	2019-11-22
		CHKD	ZhouRuicai	DATE	2019-11-22
		APVD	XueShunyong	DATE	2019-11-22
WEIGHT:		SCALE:	SIZE: A4	VIEW:	
SHEET 1 OF 1		UNIT: mm	REV.: A/0	OBJECT: MY	TITLE: 接触夹子ER14250
				PART NO.:	MY-14250-01
				DRAW NO.:	MY-CP-0324

1	CONTACT SPRING	1	QBeCu T=0.4MM	Ni-Plating
NO.	PART NAME	Q'TY	MATERIAL	PLATING & COLOR