



REV.	ECN NO.	REVISED	DATE

NOTE:

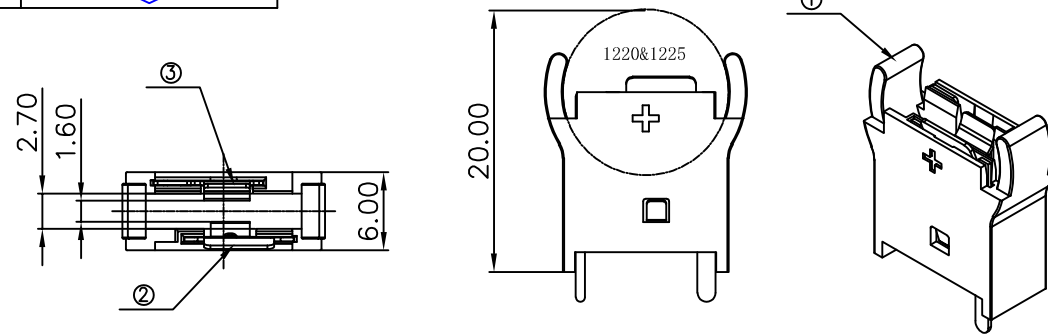
1.MATERIAL:

- a.HOUSING: PA66 UL94V-0
- b.CONTACT: C5191
(SURFACE PLATING: Ni100U"~120U")

SEE ORDERING INFORMATION

2.ELECTRIC:

- a.CONTACT RESISTANCE: 100 MILLIOHMS MAX
- b.INSULATION RESISTANCE: 100 MEGA OHMS MIN
- c.DIELECTNIC VOLTAGE: 500V AC ONE MINUTE
- d.OPERATING TEMPERATURE: -25°C~ +85°C



ORDERING INFORMATION
BS-12-A1BJ001

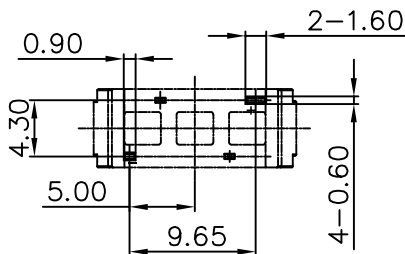
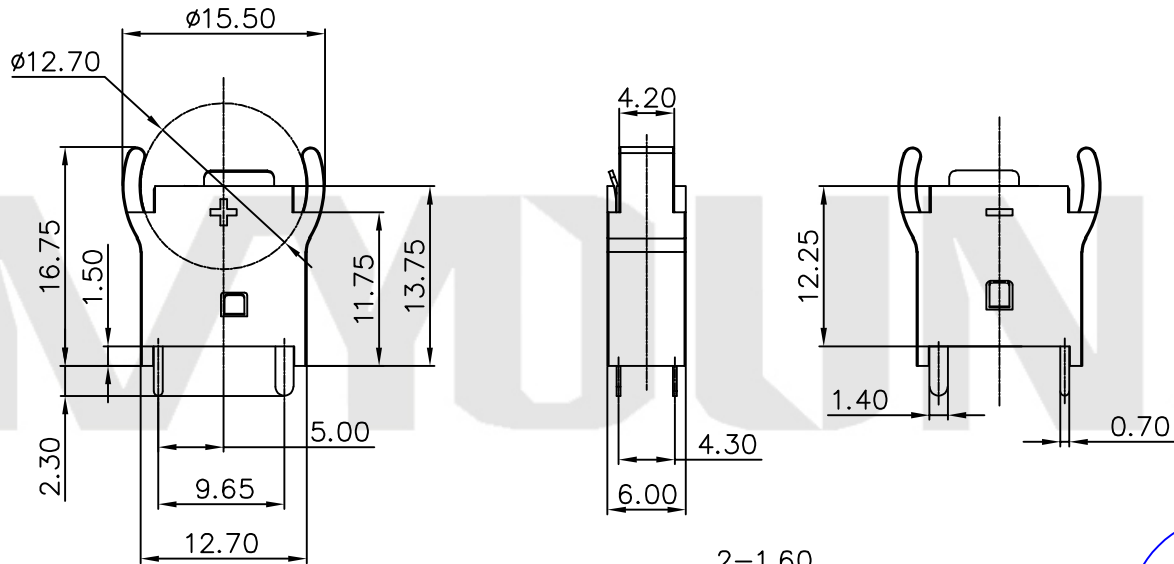
电池座系列

BS-12系列

DIP 90° TYPE

PLATING:
A-Au1U"
J-Ni100U"~120U"
K-Sn100U"~120U"

MATERIAL:
1A-PBT BLACK
1B-PA66 BLACK
2A-PPA BROWN
2B-PPA BLACK
3A-PPS BROWN
3B-PPS BLACK
4A-LCP WHITE
4B-LCP BLACK



PCB Layout Diagram
BOTTOM View



UNLESS OTHERWISE SPECIFIED TOLERANCES		MYOUNG 美阳 www.meiyangdz.com			
DECIMALS: X :±0.30 X.X :±0.25 X.XX :±0.20 X.XXX :±0.10	ANGLES: X :±1° X.X :±0.5°	DSND	YangFeng	DATE	2020-07-01
		CHKD	ZhouRuicai	DATE	2020-07-01
		APVD	XueShunyong	DATE	2020-07-01
		WEIGHT:	SCALE:	SIZE: A4	VIEW:
		SHEET 1 OF 1	UNIT: mm	REV.: A/0	OBJECT: MY
		TITLE:		BS-1220&1225-3 Ni DIP 双侧针	
		PART NO.:		BS-12-A1BJ001	
		DRAW NO.:MY-CP-0229			

3	TERMINAL(-)	1	C5191 T=0.3mm	Ni-Plating
2	TERMINAL(+)	1	C5191 T=0.3mm	Ni-Plating
1	HOUSING	1	PA66 UL94V-0	BLACK
NO.	PART NAME	Q'TY	MATERIAL	PLATING & COLOR