



REV.	ECN NO.	REVISED	DATE

NOTE:

1.MATERIAL:

- a.HOUSING:LCP UL94V-0 WHITE
- b.CONTACT:PHOSPHOR BRONZE
(SURFACE PLATING: Au1u")

SEE ORDERING INFORMATION

2.ELECTRIC:

- a.CONTACT RESISTANCE: 30 MILLIOHMS MAX
- b.INSULATION RESISTANCE: 100 MEGA OHMS MIN
- c.DIELECTNIC VOLTAGE: 500V AC ONE SEC LEVEL
- d.OPERATING TEMPERATURE: -25° C~ +85° C

ORDERING INFORMATION

BS-621-B4AA001

电池座系列

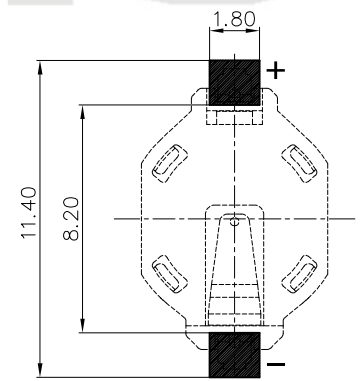
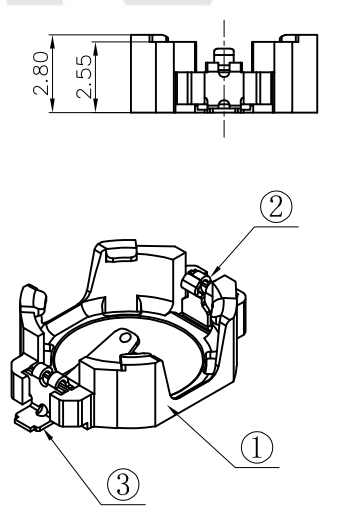
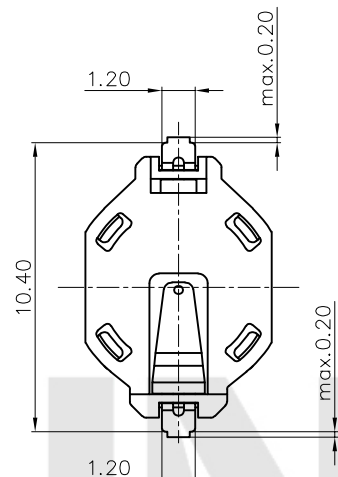
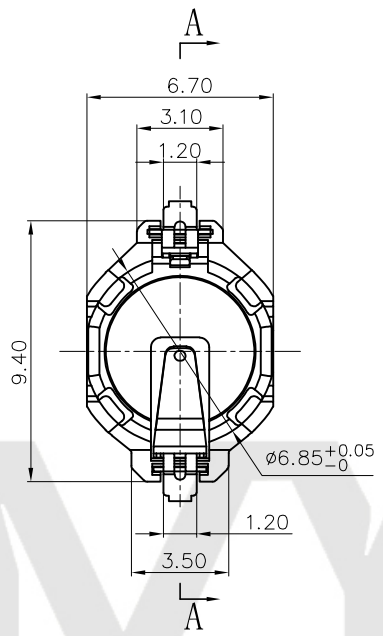
BS-621系列

SMT 180° TYPE

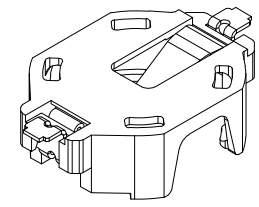
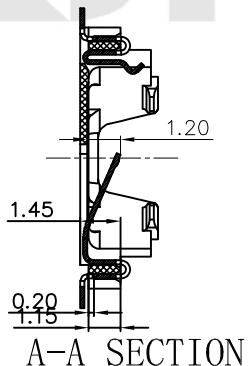
PLATING:
A-Au1U"
A1-Au1.3U"
J-Ni100U"~120U"
K-Sn100U"~120U"

MATERIAL:

- 1A-PBT BLACK
- 1B-PA66 BLACK
- 2A-PPA BROWN
- 2B-PPA BLACK
- 2C-PPA BLACK (AS SAMPLE)
- 2D-PPA ADJUSTED COLOR
- 2E-PPA WHITE
- 3A-PPS BROWN
- 3B-PPS BLACK
- 3C-PPS ADJUSTED COLOR
- 4A-LCP WHITE
- 4B-LCP BLACK



PCB Layout Diagram
Bottom View



3	TERMINAL-	1	PHOSPHOR BRONZE, T=0.15mm	Au(1u")-Plating
2	TERMINAL+	1	PHOSPHOR BRONZE, T=0.15mm	Au(1u")-Plating
1	HOUSING	1	LCP UL94 V-0	WHITE(NATURAL)
NO.	PART NAME	Q'TY	MATERIAL	PLATING & COLOR

UNLESS OTHERWISE SPECIFIED TOLERANCES		MYOUNG 美用 www.meiyangdz.com	
DECIMALS: X :±0.30 X.X :±0.25 X.XX :±0.20 X.XXX :±0.10	ANGLES: X :±1° X.X :±0.5°	DSND YangFeng	DATE 2021-12-14
WEIGHT:		CHKD ZhouRuicai	DATE 2021-12-14
SHEET 1 OF 1		APVD XueShunyong	DATE 2021-12-14
TITLE: 电池座BS-621-1 Au SMT		SCALE:	VIEW:
PART NO.: BS-621-B4AA001		SIZE: A4	REV.: A/0
DRAW NO.:MY-CP-0287		UNIT: mm	OBJECT: MY