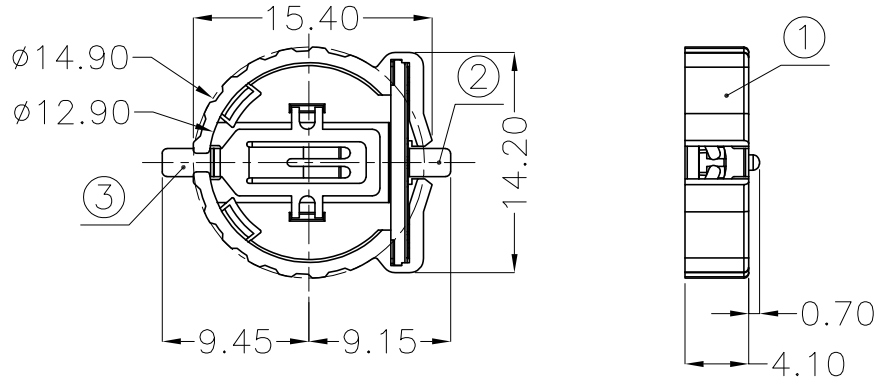




REV.	ECN NO.	REVISED	DATE

1.MATERIAL:  
 a.HOUSING:PPS UL94V-0  
 b.CONTACT:PHOSPHOR BRONZE  
 (SURFACE PLATING:Au1u")  
 SEE ORDERING INFORMATION

2.ELECTRIC:  
 a.CONTACT RESISTANCE: 30 MILLIOHMS MAX  
 b.INSULATION RESISTANCE: 100 MEGA OHMS MIN  
 c.DIELECTNIC VOLTAGE: 500V AC ONE SEC LEVEL  
 d.OPERATING TEMPERATURE: -25°C~ +85°C

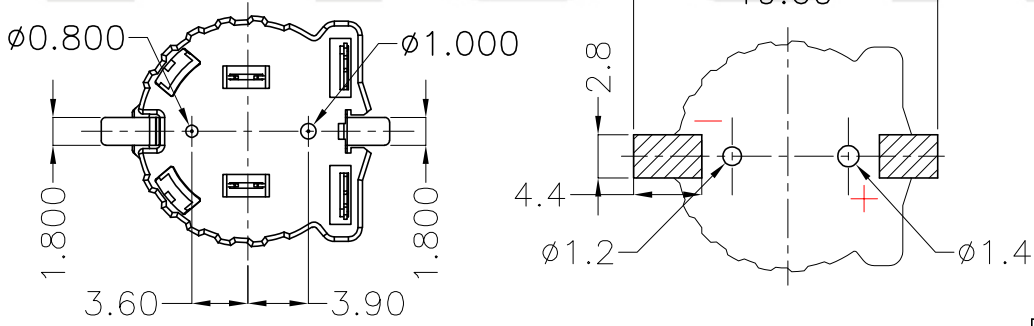


ORDERING INFORMATION  
**BS-12-B\*\*\*009**

电池座系列  
 BS-12系列  
 SMT 180° TYPE

PLATING:  
 A-Au1U"  
 J-Ni100U"~120U"  
 K-Sn100U"~120U"

MATERIAL:  
 1A-PBT BLACK  
 1B-PA66 BLACK  
 2A-PPA BROWN  
 2B-PPA BLACK  
 3A-PPS BROWN  
 3B-PPS BLACK  
 4A-LCP WHITE  
 4B-LCP BLACK



PCB Layout Diagram  
 Top View

工程部  
 2017-06-28  
 ZW DANG

3	TERMINAL(-)	1	PHOSPHOR BRONZE, T=0.20mm	Gold Plating and Ni Under-Plating
2	TERMINAL(+)	1	PHOSPHOR BRONZE, T=0.20mm	Gold Plating and Ni Under-Plating
1	HOUSING	1	PPS	BROWN
NO.	PART NAME	Q'TY	MATERIAL	PLATING & COLOR

UNLESS OTHERWISE SPECIFIED TOLERANCES		<b>MYOUNG 美用</b> www.meiyangdz.com			
DECIMALS: X :±0.30 X.X :±0.25 X.XX :±0.20 X.XXX :±0.10	ANGLES: X :±1° X.X :±0.5°	DSND	YangFeng	DATE	2017-06-28
		CHKD	ZhouRuicai	DATE	2017-06-28
		APVD	XueShun Yong	DATE	2017-06-28
WEIGHT: 0.63g		SCALE: 2:1	SIZE: A4	VIEW:	TITLE: BS-1220-2 PPS SMT 正极改结构
SHEET 1 OF 1		UNIT: mm	REV.: A/0	OBJECT: MY	PART NO.: BS-12-B3AA009
				DRAW NO.:MY-CP-0057	