



| | | | |
|------|---------|---------|------|
| REV. | ECN NO. | REVISED | DATE |
| | | | |

NOTE:

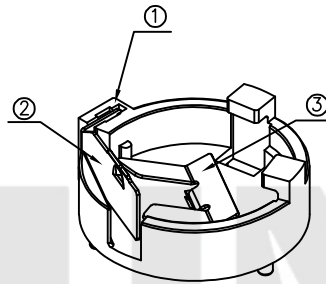
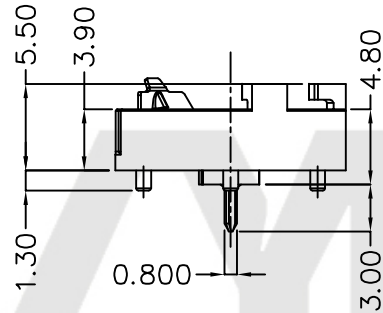
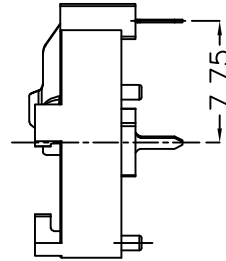
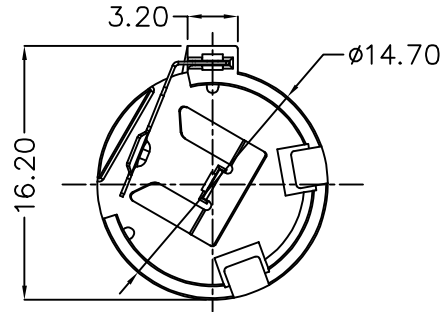
1.MATERIAL:

- a.HOUSING:PBT BLACK
- b.CONTACT:PHOSPHOR BRONZE
(SURFACE PLATING: Ni100U~120U)

SEE ORDERING INFORMATION

2.ELECTRIC:

- a.CONTACT RESISTANCE: 100 MILLIOHMS MAX
- b.INSULATION RESISTANCE: 100 MEGA OHMS MIN
- c.DIELECTNIC VOLTAGE: 500V AC ONE SEC LEVEL
- d.OPERATING TEMPERATURE: -25° C~ +85° C



ORDERING INFORMATION

BS-12-A***002-Z

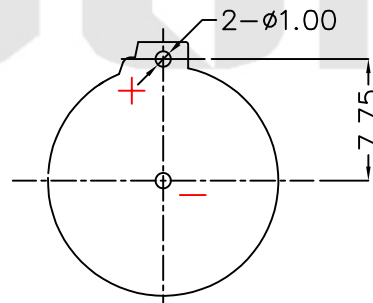
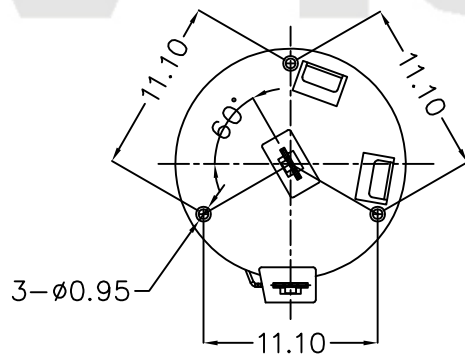
电池座系列

BS-12系列

DIP 90° TYPE

PLATING:
A-Au1U
J-Ni100U~120U
K-Sn100U~120U

MATERIAL:
1A-PBT BLACK
1B-PA66 BLACK
2A-PPA BROWN
2B-PPA BLACK
3A-PPS BROWN
3B-PPS BLACK
4A-LCP WHITE
4B-LCP BLACK



PCB Layout Diagram
Top View

| | | | | |
|-----|-------------|------|---------------------------|-----------------|
| ③ | TERMINAL(-) | 1 | PHOSPHOR BRONZE, T=0.20mm | Ni-Plating |
| ② | TERMINAL(+) | 1 | PHOSPHOR BRONZE, T=0.20mm | Ni-Plating |
| ① | HOUSING | 1 | PBT | BLACK |
| NO. | PART NAME | Q'TY | MATERIAL | PLATING & COLOR |

| | | | | | |
|--|---------------------------------|------------------------------------|---------------------------------|------------|---------------------|
| UNLESS OTHERWISE SPECIFIED TOLERANCES | | MYOUNG 美阳 www.meiyangdz.com | | | |
| DECIMALS: X :±0.30 X.X :±0.25 X.XX :±0.20 X.XXX :±0.10 | ANGLES: X :±1° X.X :±0.5° | DSND | YangFeng | DATE | 2018-10-05 |
| | | CHKD | ZhouRuicai | DATE | 2018-10-05 |
| | | APVD | XueShunyong | DATE | 2018-10-05 |
| WEIGHT: | | SCALE: | SIZE: A4 | VIEW: | ⊕ ⊖ |
| SHEET 1 OF 1 | | UNIT: mm | REV.: A/1 | OBJECT: MY | DRAW NO.:MY-CP-0147 |
| | | | TITLE: BS-1220-1-Z Ni DIP 正向 | | |
| | | | PART NO.: BS-12-A1AJ002-Z | | |