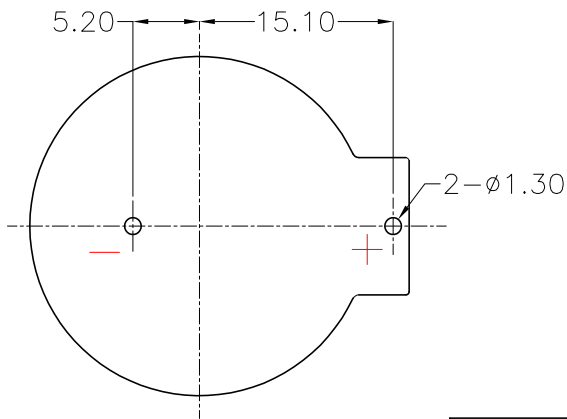
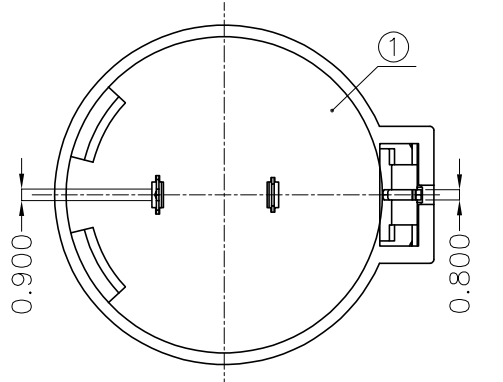
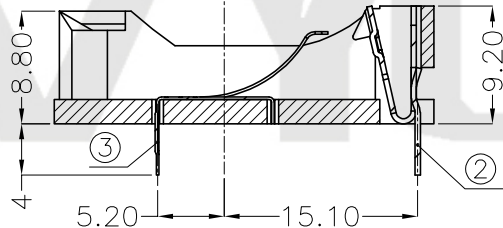
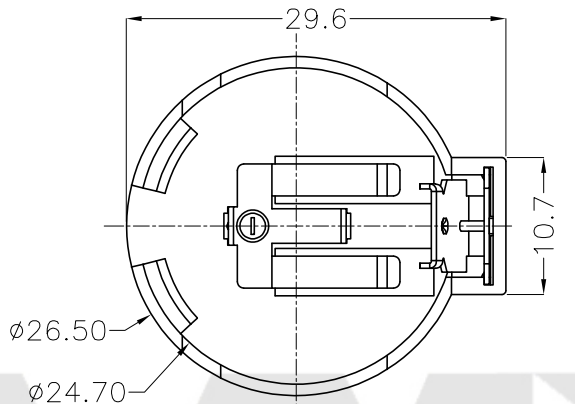




REV.	ECN NO.	REVISED	DATE



PCB Layout Diagram
Top View

NOTE:

- MATERIAL:
 - HOUSING:PBT
 - CONTACT:PHOSPHOR BRONZE
(SURFACE PLATING: Ni100u"-120u")
SEE ORDERING INFORMATION
- ELECTRIC:
 - CONTACT RESISTANCE: 100 MILLIOHMS MAX
 - INSULATION RESISTANCE: 100 MEGA OHMS MIN
 - DIELECTNIC VOLTAGE: 500V AC ONE SEC LEVEL
 - OPERATING TEMPERATURE: -25°C ~ +85°C

ORDERING INFORMATION
BS-24-A***004

电池座系列
BS-24系列
DIP 90° TYPE

PLATING:
A-Au1U"
J-Ni100U"~120U"
K-Sn100U"~120U"

MATERIAL:
1A-PBT BLACK
1B-PA66 BLACK
2A-PPA BROWN
2B-PPA BLACK
3A-PPS BROWN
3B-PPS BLACK
4A-LCP WHITE
4B-LCP BLACK



UNLESS OTHERWISE SPECIFIED TOLERANCES		MYOUNG 美阳 www.meiyangdz.com	
DECIMALS: X :±0.30 X.X :±0.25 X.XX :±0.20 X.XXX :±0.10	ANGLES: X :±1° X.X :±0.5°	DSND YangFeng	DATE 2017-07-15
WEIGHT:2.71g		CHKD ZhouRuicai	DATE 2017-07-15
SHEET 1 OF 1		APVD XueShunyong	DATE 2017-07-15
TITLE: BS-2450-1 DIP		SCALE: 2:1	SIZE: A4
PART NO.: BS-24-A1AJ004		VIEW:	
DRAW NO.:MY-CP-0089		UNIT: mm	REV.: A/0
		OBJECT: MY	

NO.	PART NAME	Q'TY	MATERIAL	PLATING & COLOR
3	TERMINAL(-)	1	PHOSPHOR BRONZE,T=0.20mm	Ni Plating
2	TERMINAL(+)	1	PHOSPHOR BRONZE,T=0.40mm	Ni Plating
1	HOUSING	1	PBT	BLACK