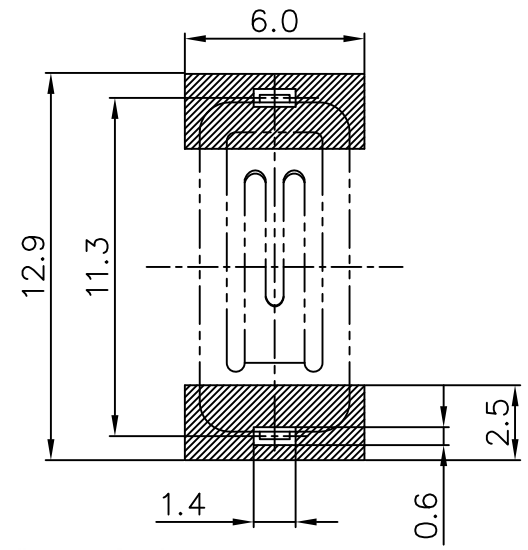
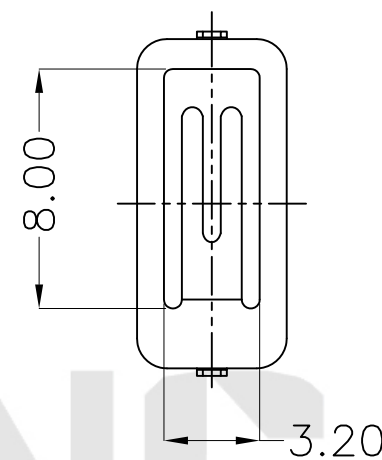
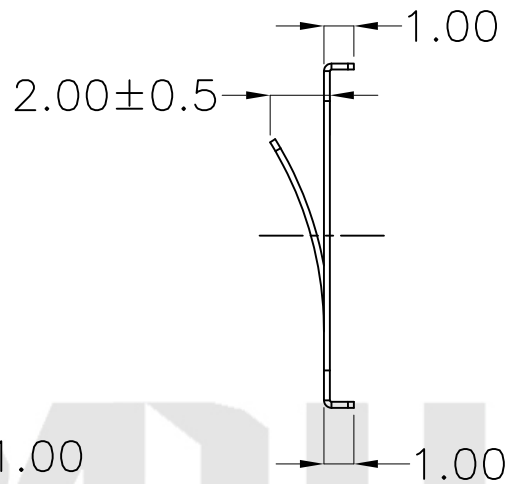
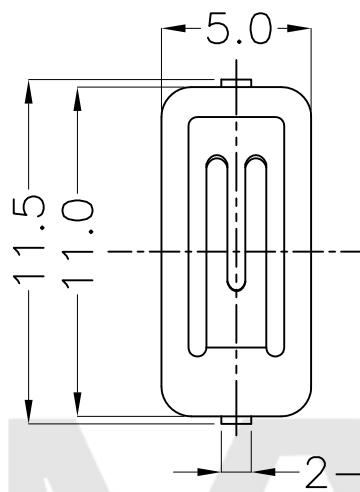
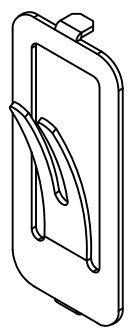
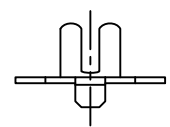




REV.	ECN NO.	REVISED	DATE



PCB LAYOUT DIAGRAM  
TOP VIEW



工程部  
2019-06-03  
LQ. HUANG

技术要求:

- 1、毛刺高度 ≤ 0.03mm;
- 2、部件要求平整,无变形、裂纹、损伤等外观缺陷;

UNLESS OTHERWISE SPECIFIED TOLERANCES		<b>MYOUNG 美阳</b> <a href="http://www.meiyangdz.com">www.meiyangdz.com</a>			
DECIMALS: X :±0.30 X.X :±0.25 X.XX :±0.20 X.XXX :±0.10	ANGLES: X :±1° X.X :±0.5°	DSND	YangFeng	DATE	2019-06-03
		CHKD	ZhouRuicai	DATE	2019-06-03
		APVD	XueShunyong	DATE	2019-06-03
WEIGHT: g		SCALE: 4:1	SIZE: A4	VIEW:	TITLE: 电池接触片-118 负极 DIP
SHEET 1 OF 1		UNIT: mm	REV.: A/1	OBJECT: MY	PART NO.: MY-FJ-118
					DRAW NO.:MY-CP-0204

1	TERMINAL(-)	1	PHOSPHOR BRONZE, T=0.20mm	Ni-Plating
NO.	PART NAME	Q'TY	MATERIAL	PLATING & COLOR