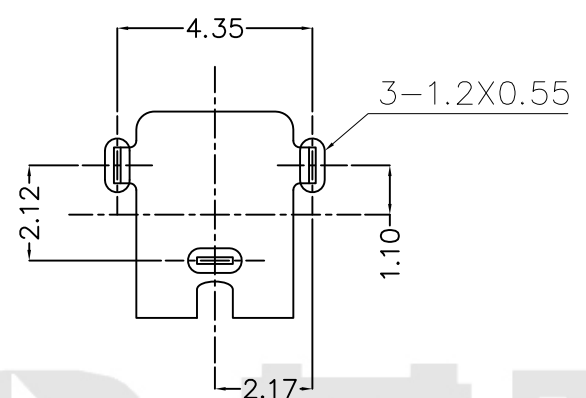
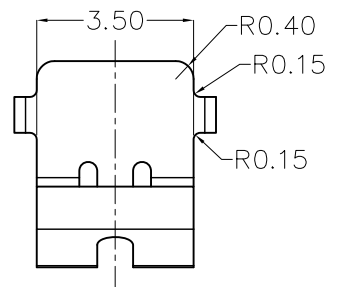
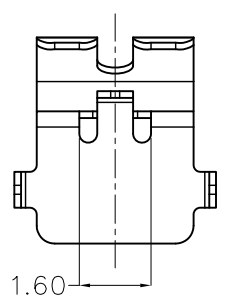
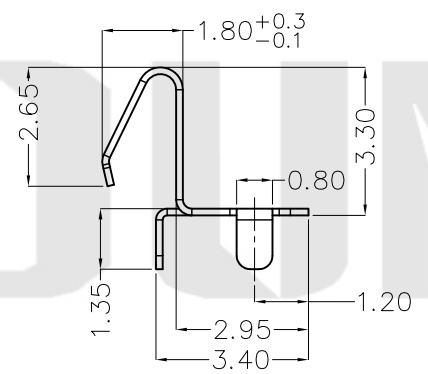
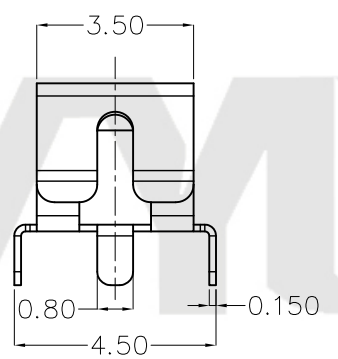




REV.	ECN NO.	REVISED	DATE



PCB Layout Diagram
Top View



工程部
2018-12-21
LQ. HUANG

技术要求:

- 1、截断面毛刺高度 $\leq 0.03\text{mm}$;
- 2、部件要求平整,无变形、裂纹、损伤等外观缺陷;

UNLESS OTHERWISE SPECIFIED TOLERANCES		MYOUNG 美阳 www.meiyangdz.com	
DECIMALS: X :±0.30 X.X :±0.25 X.XX :±0.20 X.XXX :±0.10	ANGLES: X :±1° X.X :±0.5°	DSND YangFeng	DATE 2018-12-21
WEIGHT:		CHKD ZhouRuicai	DATE 2018-12-21
		APVD XueShunyong	DATE 2018-12-21
SHEET 1 OF 1		SCALE:	SIZE: A4
		UNIT: mm	REV.: A/2
		VIEW:	OBJECT: MY
			TITLE: 电池接触片-111LM正极
			PART NO.: MY-ZJ-111LM
			DRAW NO.:MY-CP-0169

1	TERMINAL+	1	SUS304 T=0.15	Au-Plating
NO.	PART NAME	Q'TY	MATERIAL	PLATING & COLOR