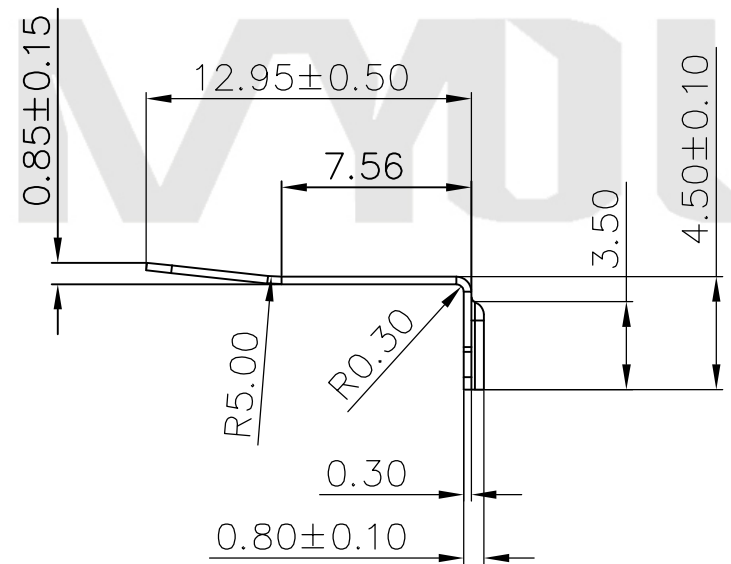
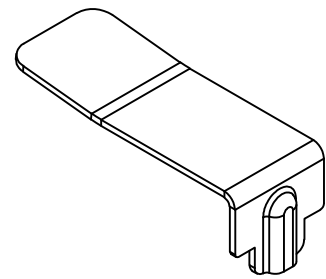
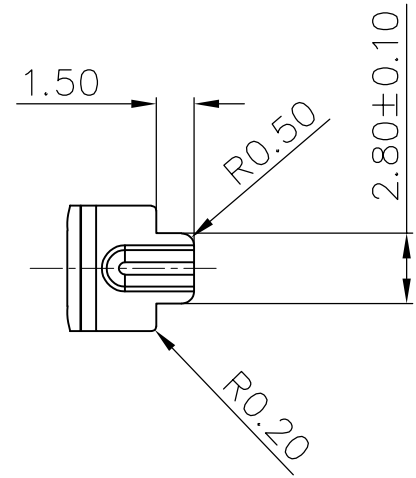
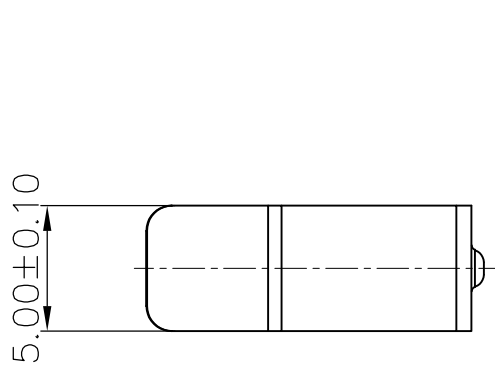




REV.	ECN NO.	REVISED	DATE
A/1	MY20211122001	LQ.HUANG	2021-11-22



工程部
2022-04-09
LQ. HUANG

- 技术要求:
- 1、截断面毛刺高度 $\leq 0.03\text{mm}$;
 - 2、部件要求平整,无变形、裂纹、损伤等外观缺陷;

UNLESS OTHERWISE SPECIFIED TOLERANCES		MYOUNG 美阳 www.meiyangdz.com			
DECIMALS: X :±0.30 X.X :±0.25 X.XX :±0.20 X.XXX :±0.10	ANGLES: X :±1° X.X :±0.5°	DSND	YangFeng	DATE	2022-04-09
WEIGHT:		CHKD	ZhouRuicai	DATE	2022-04-09
SHEET 1 OF 1		APVD	XueShunyong	DATE	2022-04-09
		SCALE:	SIZE: A4	VIEW:	
		UNIT: mm	REV.: A/1	OBJECT: MY	
		TITLE:		PART NO.:	
		电池接触片SJ-0247		MY-SJ-0247	
		DRAW NO.:MY-CP-0264			

1	CONTACT SPRING	1	SUS301 T=0.3MM	Ni-Plating
NO.	PART NAME	Q'TY	MATERIAL	PLATING & COLOR