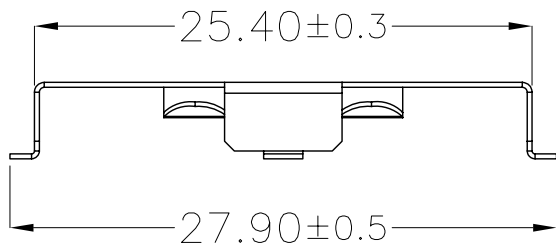
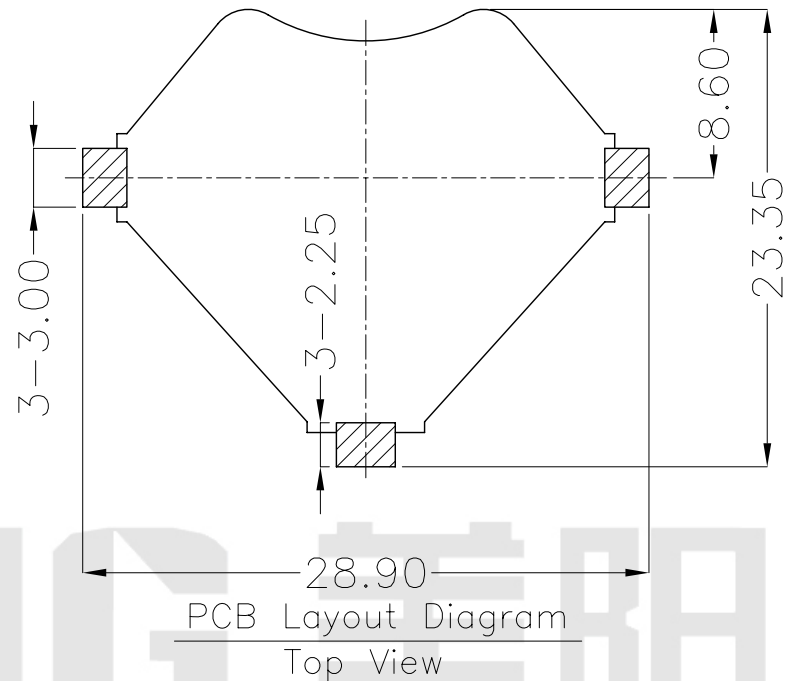
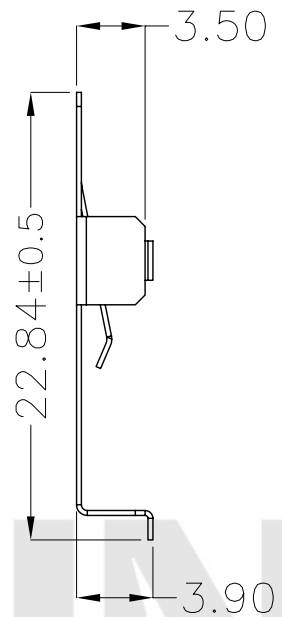
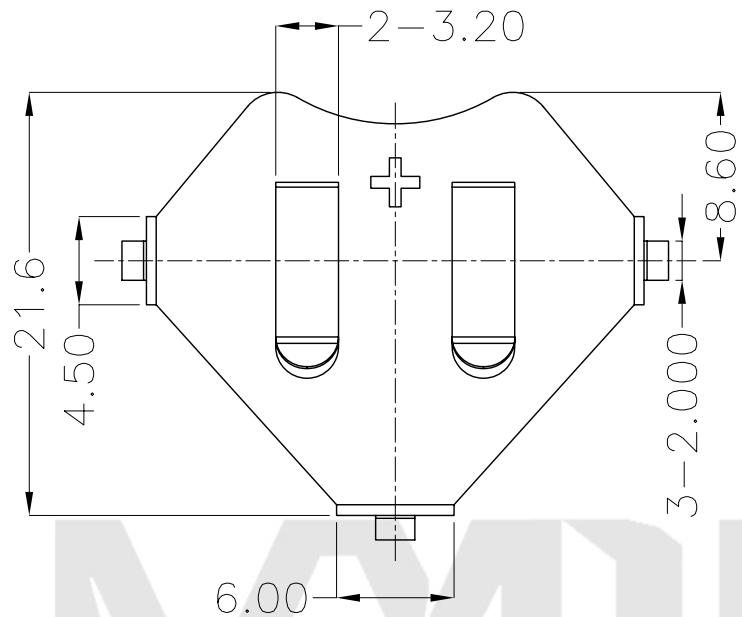




REV.	ECN NO.	REVISED	DATE



工程部  
2017-07-19  
ZW DANG

UNLESS OTHERWISE SPECIFIED TOLERANCES		<b>MYOUNG 美阳</b> <a href="http://www.meiyangdz.com">www.meiyangdz.com</a>	
DECIMALS: X :±0.30 X.X :±0.25 X.XX :±0.20 X.XXX :±0.10	ANGLES: X :±1° X.X :±0.5°	DSND YangFeng	DATE 2017-07-19
		CHKD ZhouRuicai	DATE 2017-07-19
		APVD XueShunyong	DATE 2017-07-19
WEIGHT:0.91g		SCALE:2.5:1	SIZE: A4
SHEET 1 OF 1		UNIT: mm	REV.: A/0
		VIEW:	OBJECT: MY
		TITLE: 电池扣CR2430-X	
		PART NO.: MY-2430-02	
		DRAW NO.:MY-CP-0098	

1	TERMINAL(+)	1	PHOSPHOR BRONZE, T=0.25mm	Ni-Plating
NO.	PART NAME	Q'TY	MATERIAL	PLATING & COLOR