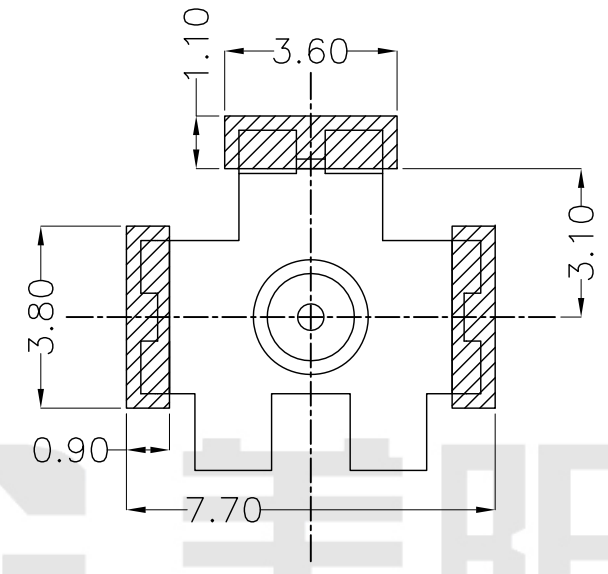
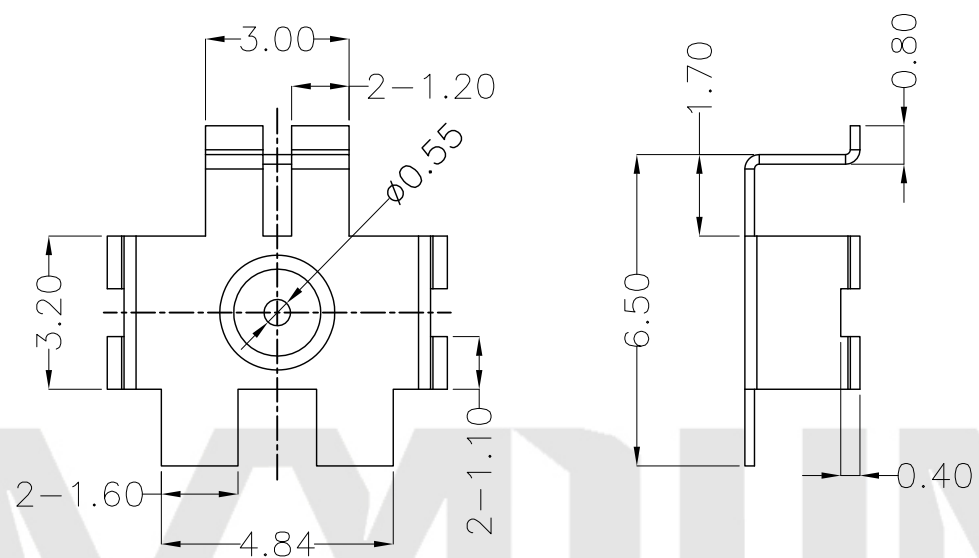
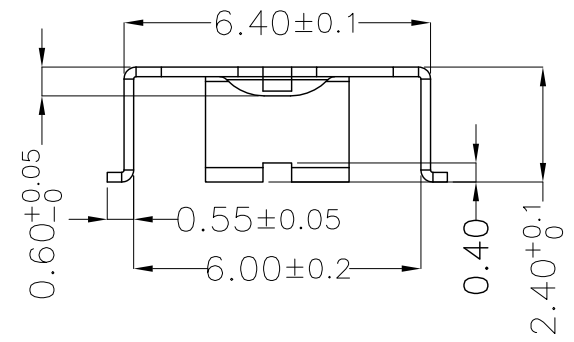




REV.	ECN NO.	REVISED	DATE



PCB Layout Diagram  
Top View



UNLESS OTHERWISE SPECIFIED TOLERANCES:±0.10

工程部  
2018-08-20  
LQ. HUANG

UNLESS OTHERWISE SPECIFIED TOLERANCES		<b>MYOUNG 美阳</b> <a href="http://www.meiyangdz.com">www.meiyangdz.com</a>	
DECIMALS: X :±0.30 X.X :±0.25 X.XX :±0.20 X.XXX:±0.10	ANGLES: X :±1° X.X :±0.5° X.XX :±0.2° X.XXX:±0.10	DSND YangFeng	DATE 2018-08-20
WEIGHT: g		CHKD ZhouRuicai	DATE 2018-08-20
SHEET 1 OF 1		APVD XueShunyong	DATE 2018-08-20
TITLE:		SCALE:	SIZE: A4
PART NO.:		VIEW:	REV.: A/0
DRAW NO.:MY-CP-0113		UNIT: mm	OBJECT: MY

NO.	PART NAME	Q'TY	MATERIAL	PLATING & COLOR
1	TERMINAL(+)	1	PHOSPHOR BRONZE, T=0.20mm	Silver-Plating