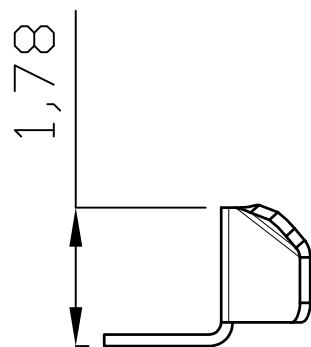
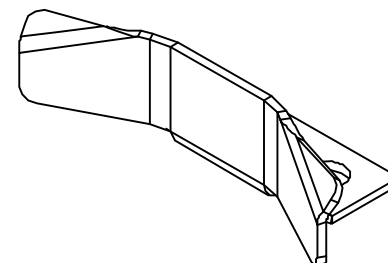
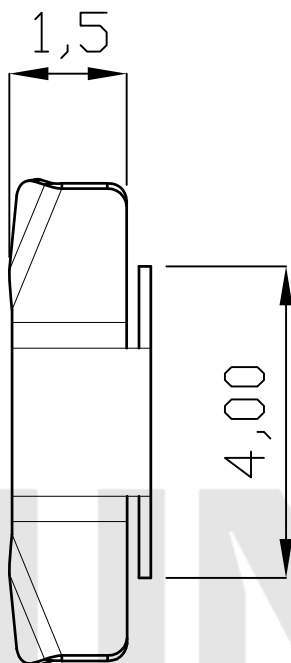
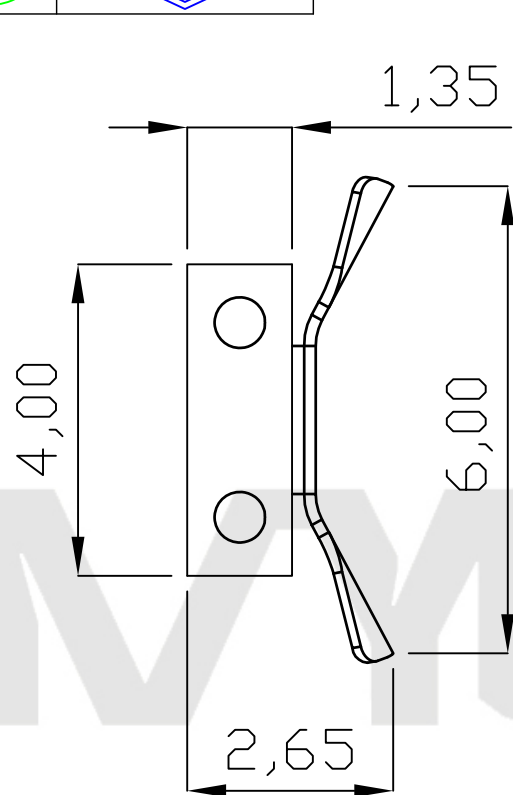




| | | | |
|------|---------|---------|------|
| REV. | ECN NO. | REVISED | DATE |
| | | | |



技术要求:

- 1、截剪断面毛刺高度 $\leq 0.03\text{mm}$;
- 2、部件要求平整,无变形、裂纹、损伤等外观缺陷;

| | | | | | |
|--|---------------------------------|---|-------------|------------|--------------------------|
| UNLESS OTHERWISE SPECIFIED TOLERANCES | | MYOUNG 美阳 www.meiyangdz.com | | | |
| DECIMALS: X :±0.30 X.X :±0.25 X.XX :±0.20 X.XXX :±0.10 | ANGLES: X :±1° X.X :±0.5° | DSND | YangFeng | DATE | 2021-07-14 |
| | | CHKD | ZhouRuicai | DATE | 2021-07-14 |
| | | APVD | XueShunyong | DATE | 2021-07-14 |
| WEIGHT: | | SCALE: | SIZE: A4 | VIEW: | |
| SHEET 1 OF 1 | | UNIT: mm | REV.: A/0 | OBJECT: MY | TITLE: 电池弹片正极-125 SMT |
| | | | | PART NO.: | MY-ZJ-125 |
| | | | | DRAW NO.: | WD-CP-0156 |

| | | | | |
|-----|-------------|------|----------------|-----------------|
| 1 | TERMINAL(+) | 1 | STEEL T=0.15MM | Au-Plating |
| NO. | PART NAME | Q'TY | MATERIAL | PLATING & COLOR |