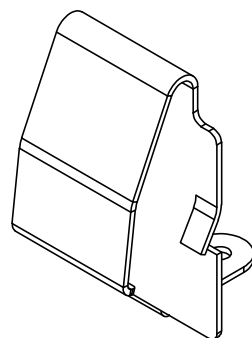
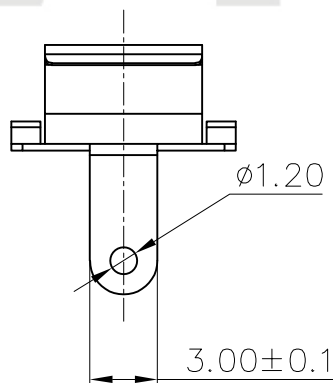
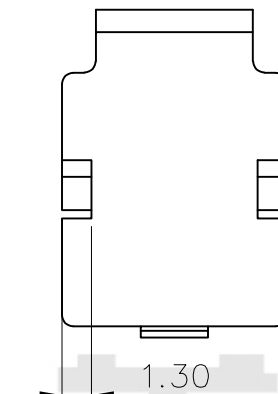
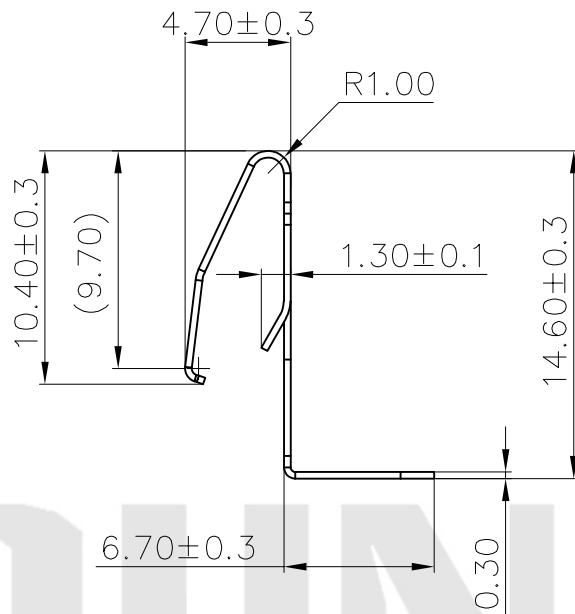
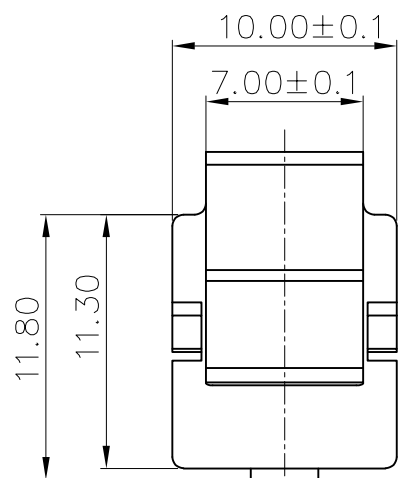




REV.	ECN NO.	REVISED	DATE



工程部  
2022-03-04  
LQ. HUANG

技术要求:

- 1、截断面毛刺高度 $\leq 0.03\text{mm}$ ;
- 2、部件要求平整,无变形、裂纹、损伤等外观缺陷;

UNLESS OTHERWISE SPECIFIED TOLERANCES		<b>MYOUNG 美阳</b> www.meiyangdz.com			
DECIMALS: X :±0.30 X.X :±0.25 X.XX :±0.20 X.XXX :±0.10	ANGLES: X :±1° X.X :±0.5°	DSND	YangFeng	DATE	2022-03-04
		CHKD	ZhouRuicai	DATE	2022-03-04
		APVD	XueShunyong	DATE	2022-03-04
WEIGHT:		SCALE:	SIZE: A4	VIEW:	⊙ ⊚
SHEET 1 OF 1		UNIT: mm	REV.: A/0	OBJECT: MY	TITLE: 电池接触片SJ-0272
				PART NO.:	MY-SJ-0272
				DRAW NO.:	MY-CP-0276

1	BATTERY SPRING	1	SUS301 T=0.3mm	Ni-Plating
NO.	PART NAME	Q'TY	MATERIAL	PLATING & COLOR