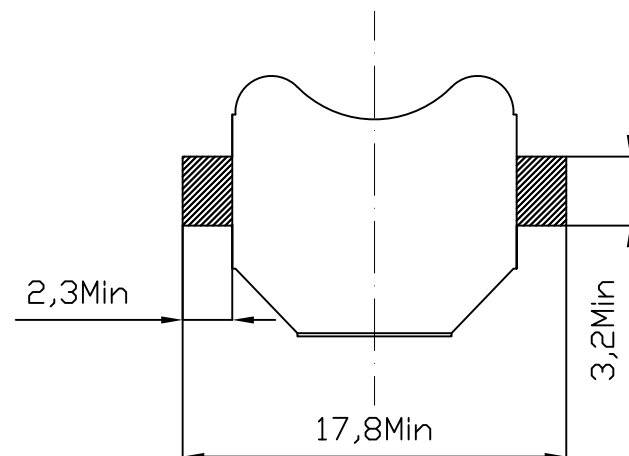
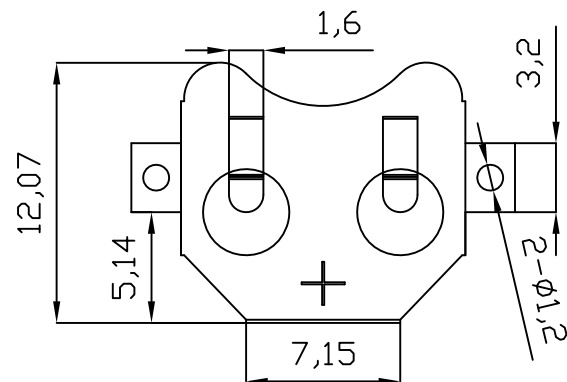
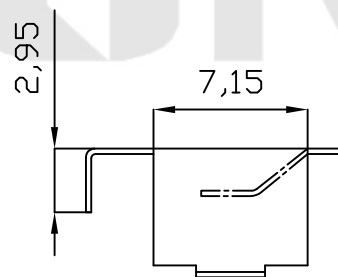
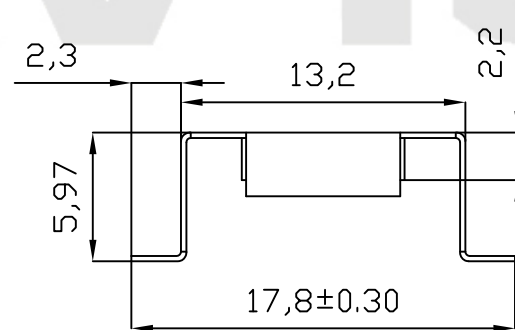




REV.	ECN NO.	REVISED	DATE



PCB Layout Diagram  
Top View



工程部  
2019-08-19  
H. WANG

UNLESS OTHERWISE SPECIFIED TOLERANCES		<b>MYOUNG 美阳</b> <a href="http://www.meiyangdz.com">www.meiyangdz.com</a>	
DECIMALS: X :±0.30 X.X :±0.25 X.XX :±0.20 X.XXX :±0.10	ANGLES: X :±1° X.X :±0.5°	DSND YangFeng	DATE 2019-08-19
WEIGHT: g		CHKD ZhouRuicai	DATE 2019-08-19
SHEET 1 OF 1		APVD XueShunyong	DATE 2019-08-19
TITLE: 电池扣LR44-W SMT		SCALE: 3:1	SIZE: A4
PART NO.: MY-LR44-01		VIEW:	UNIT: mm
DRAW NO.:WD-CP-0072		REV.: A/0	OBJECT: MY

1	TERMINAL(+)	1	PHOSPHOR BRONZE, T=0.25mm	Ni-Plating
NO.	PART NAME	Q'TY	MATERIAL	PLATING & COLOR