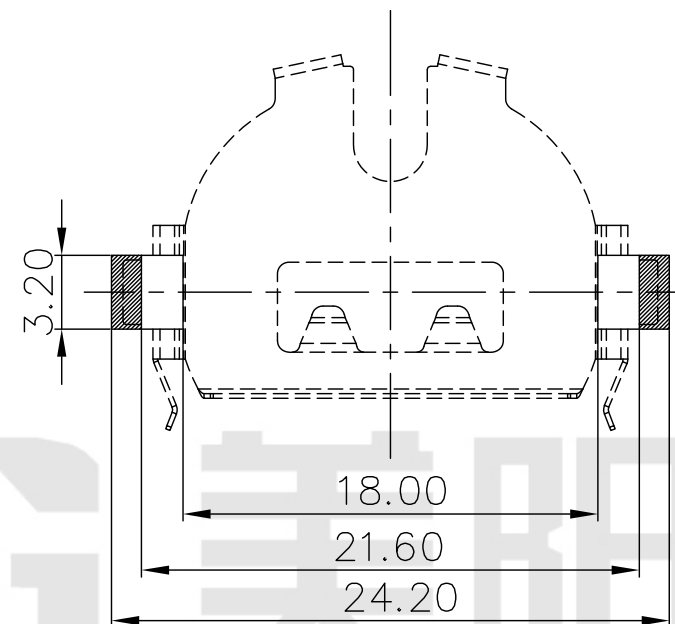
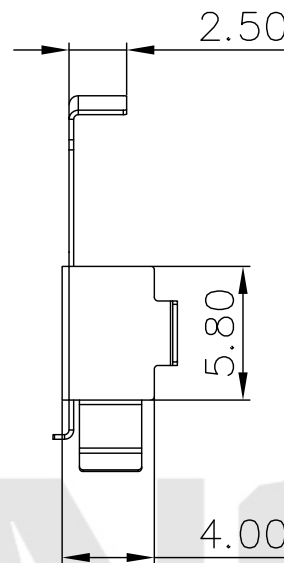
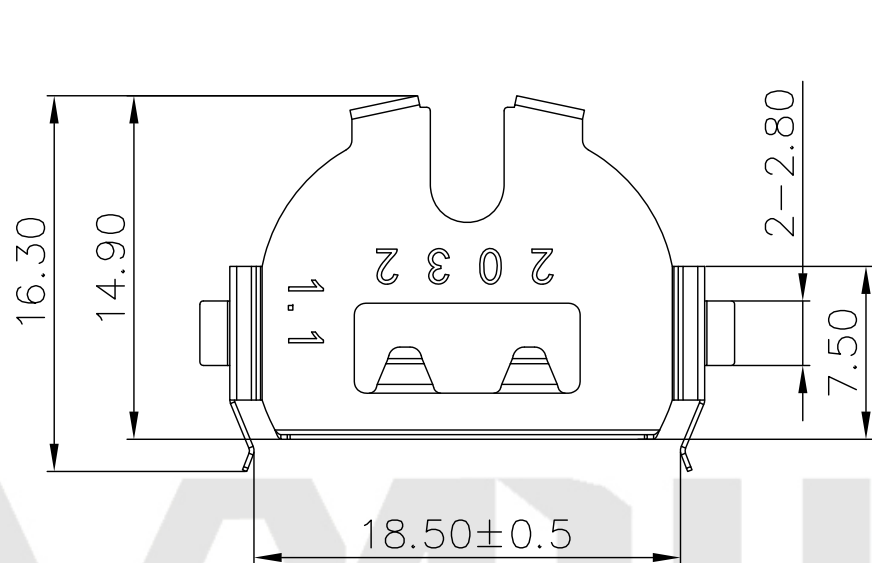


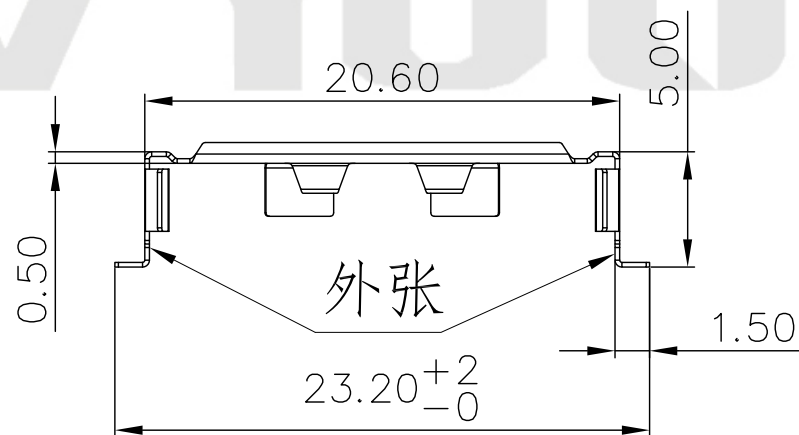


REV.	ECN NO.	REVISED	DATE



PCB(T=0.7-0.75) Layout Diagram

Top View



外张

工程部
2020-10-15
LQ. HUANG

UNLESS OTHERWISE SPECIFIED TOLERANCES		MYOUNG 美阳 www.meiyangdz.com	
DECIMALS: X :±0.30 X.X :±0.25 X.XX :±0.20 X.XXX :±0.10	ANGLES: X :±1° X.X :±0.5°	DSND YangFeng	DATE 2020-10-15
		CHKD ZhouRuicai	DATE 2020-10-15
		APVD XueShunyong	DATE 2020-10-15
		SCALE: 2.5:1	SIZE: A4
		VIEW:	
		UNIT: mm	REV.: A/0
		OBJECT: MY	DRAW NO.: MY-CP-0102

1	TERMINAL(+)	1	PHOSPHOR BRONZE, T=0.20mm	Ni-Plating
NO.	PART NAME	Q'TY	MATERIAL	PLATING & COLOR