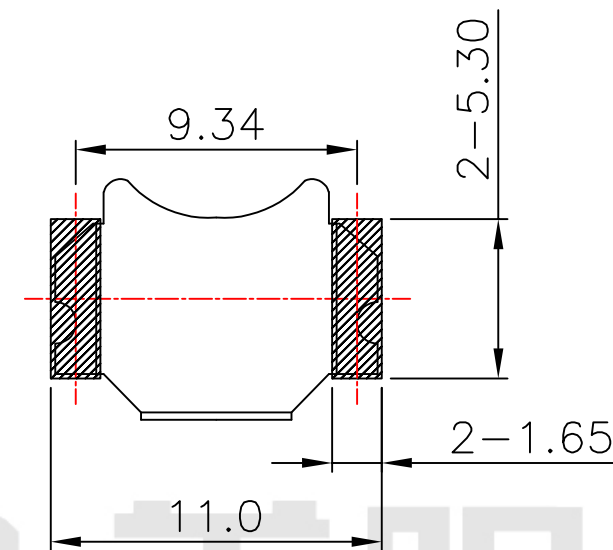
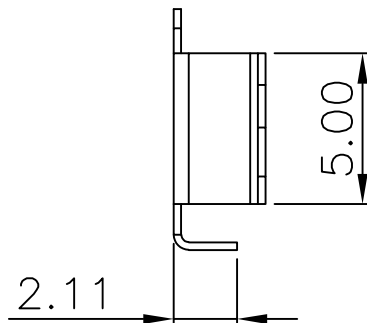
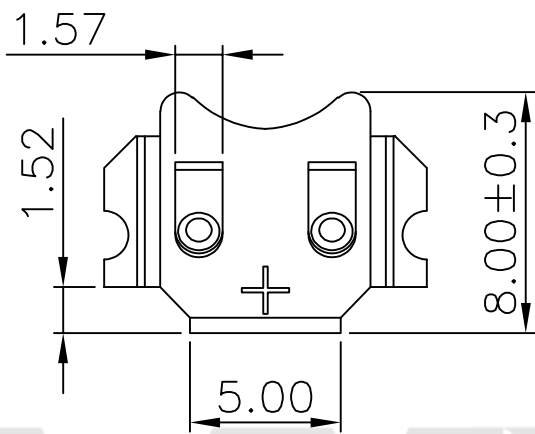
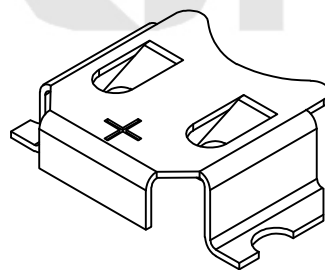
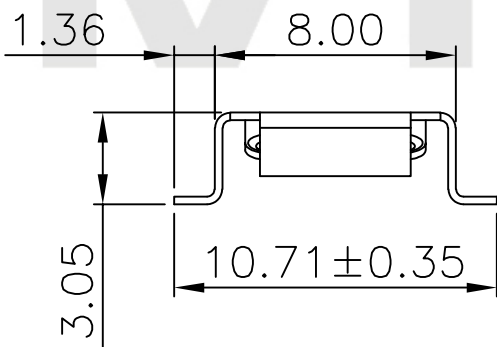




REV.	ECN NO.	REVISED	DATE



PCB Layout Diagram
Top View



工程部
2023-09-28
H. WANG

UNLESS OTHERWISE SPECIFIED TOLERANCES		MYOUNG 美阳 www.meiyangdz.com	
DECIMALS: X :±0.30 X.X :±0.25 X.XX :±0.20 X.XXX :±0.10	ANGLES: X :±1° X.X :±0.5°	DSND YangFeng	DATE 2023-09-28
		CHKD ZhouRuicai	DATE 2023-09-28
		APVD XueShunyong	DATE 2023-09-28
WEIGHT:		SCALE:2.5:1	SIZE: A4
SHEET 1 OF 1		VIEW:	UNIT: mm
		REV.: A/0	OBJECT: MY
		TITLE: 电池扣CR621-F Ni SMT	
		PART NO.: MY-621-01	
		DRAW NO.:WD-CP-0067	

1	TERMINAL(+)	1	PHOSPHOR BRONZE, T=0.25mm	Ni-Plating
NO.	PART NAME	Q'TY	MATERIAL	PLATING & COLOR