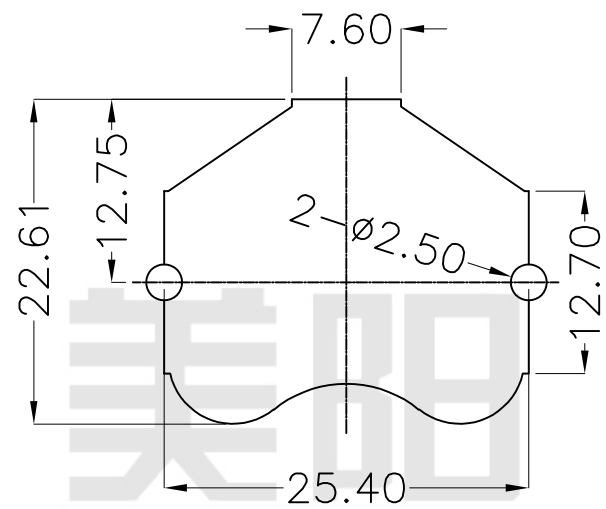
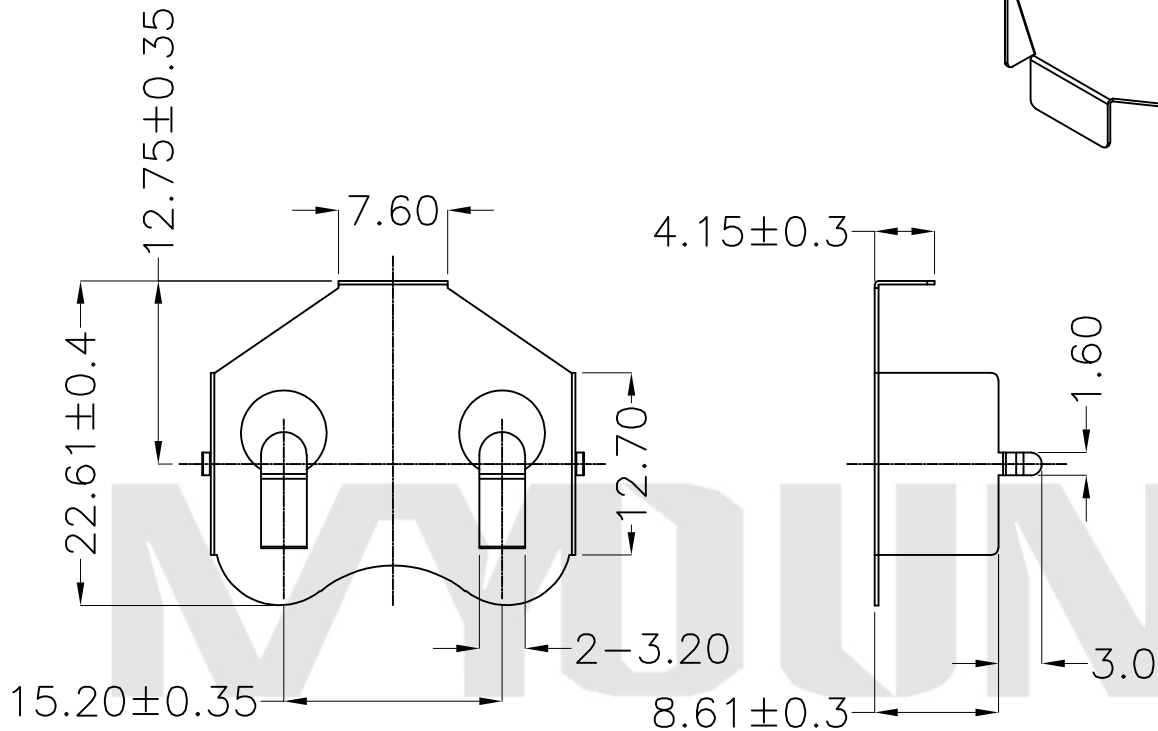
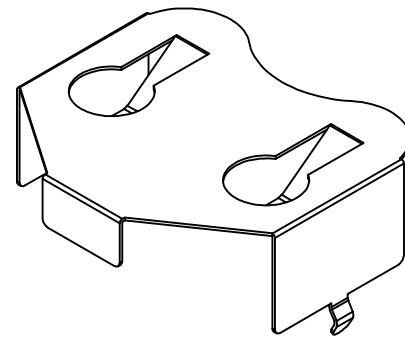
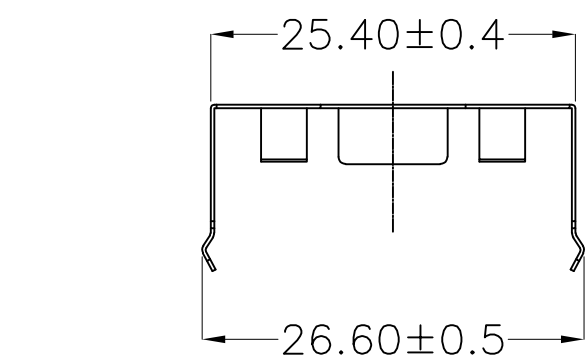




REV.	ECN NO.	REVISED	DATE



PCB Layout Diagram
Top View



工程部
2023-05-13
H. WANG

UNLESS OTHERWISE SPECIFIED TOLERANCES		MYOUNG 美阳 www.meiyangdz.com	
DECIMALS: X :±0.30 X.X :±0.25 X.XX :±0.20 X.XXX :±0.10	ANGLES: X :±1° X.X :±0.5°	DSND YangFeng	DATE 2023-05-13
WEIGHT: 1.4g		CHKD ZhouRuicai	DATE 2023-05-13
SHEET 1 OF 1		APVD XueShun Yong	DATE 2023-05-13
		SCALE: 2:1	SIZE: A4
		UNIT: mm	REV.: A/1
		VIEW:	OBJECT: MY
		TITLE: 电池扣CR2477-A Ni DIP	
		PART NO.: MY-2477-01	
		DRAW NO.:WD-CP-0046	

1	TERMINAL(+)	1	PHOSPHOR BRONZE, T=0.25mm	Ni-Plating
NO.	PART NAME	Q'TY	MATERIAL	PLATING & COLOR