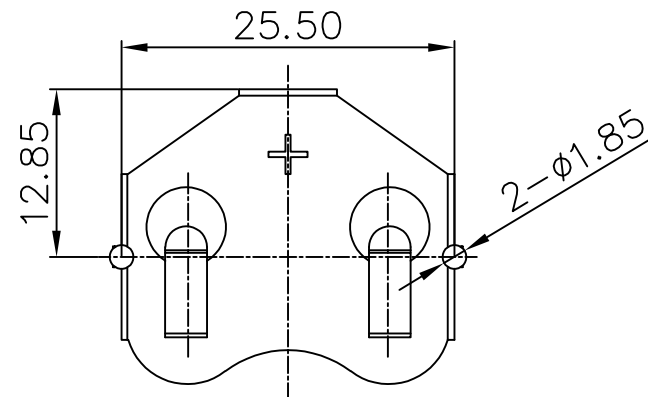
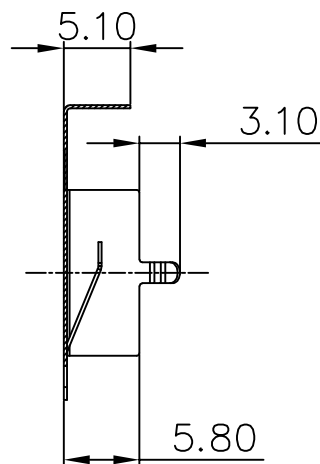
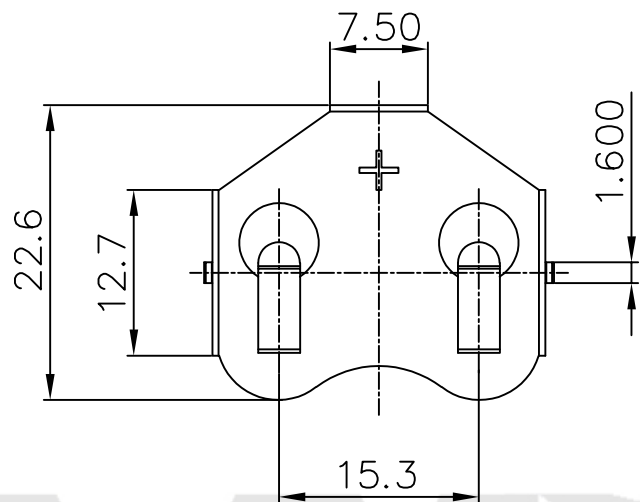
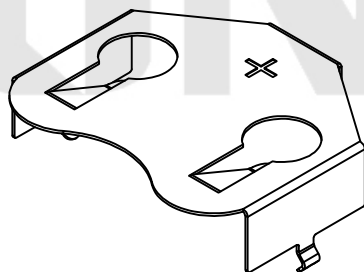
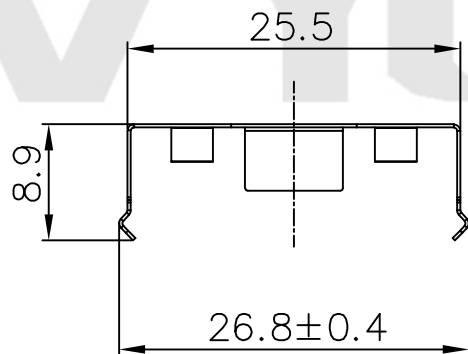




REV.	ECN NO.	REVISED	DATE



PCB Layout Diagram  
Top View



工程部  
2022-11-30  
LQ. HUANG

UNLESS OTHERWISE SPECIFIED TOLERANCES		<b>MYOUNG 美阳</b> <a href="http://www.meiyangdz.com">www.meiyangdz.com</a>	
DECIMALS: X :±0.30 X.X :±0.25 X.XX :±0.20 X.XXX :±0.10	ANGLES: X :±1° X.X :±0.5°	DSND YangFeng	DATE 2022-11-30
WEIGHT: g		CHKD ZhouRuicai	DATE 2022-11-30
SHEET 1 OF 1		APVD XueShunyong	DATE 2022-11-30
TITLE: 电池扣CR2450-A DIP		SCALE: 1:1	VIEW: ④ ⊙
PART NO.: MY-2450-02		UNIT: mm	REV.: A/0
DRAW NO.:MY-CP-0331		OBJECT: MY	

1	TERMINAL(+)	1	PHOSPHOR BRONZE, T=0.25mm	Ni-Plating
NO.	PART NAME	Q'TY	MATERIAL	PLATING & COLOR