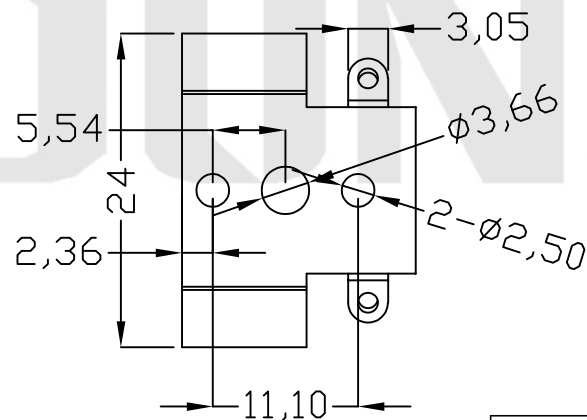
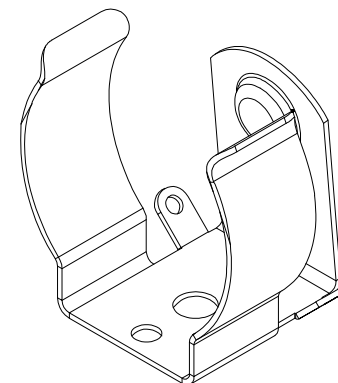
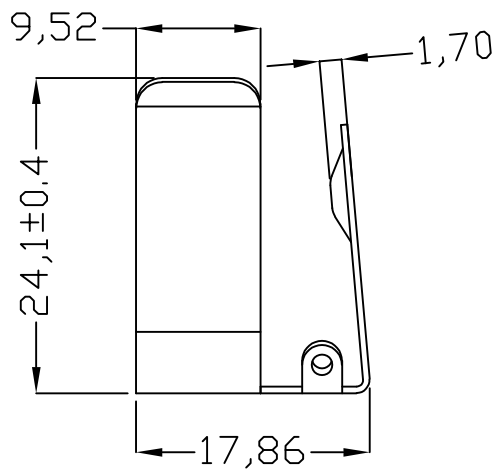
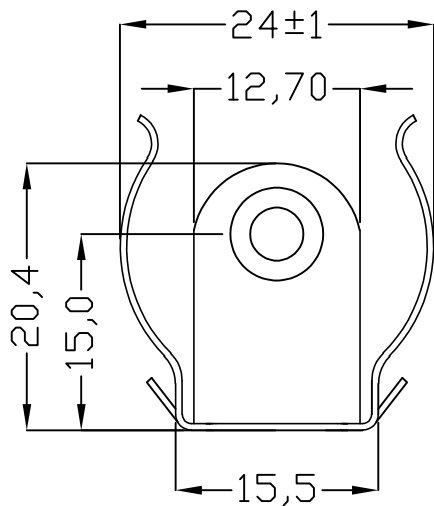




REV.	ECN NO.	REVISED	DATE



MYOUNG 美阳

工程部
2021-05-07
LQ. HUANG

UNLESS OTHERWISE SPECIFIED TOLERANCES		MYOUNG 美阳 www.meiyangdz.com	
DECIMALS: X :±0.35 X.X :±0.25 X.XX :±0.20 X.XXX :±0.10	ANGLES: X :±1° X.X :±0.5°	DSND YangFeng	DATE 2021-05-07
WEIGHT:g		CHKD ZhouRuicai	DATE 2021-05-07
SHEET 1 OF 1		APVD XueShunyong	DATE 2021-05-07
		SCALE:2.5:1	SIZE: A4
		UNIT: mm	REV.: A/0
		VIEW:	OBJECT: MY
		TITLE: C型电池夹 铆接	
		PART NO.: MY-C-01	
		DRAW NO.:WD-CP-0149	

1	TERMINAL(+)	1	SPRING Steel T=0.50MM	Ni-Plating
NO.	PART NAME	Q'TY	MATERIAL	PLATING & COLOR