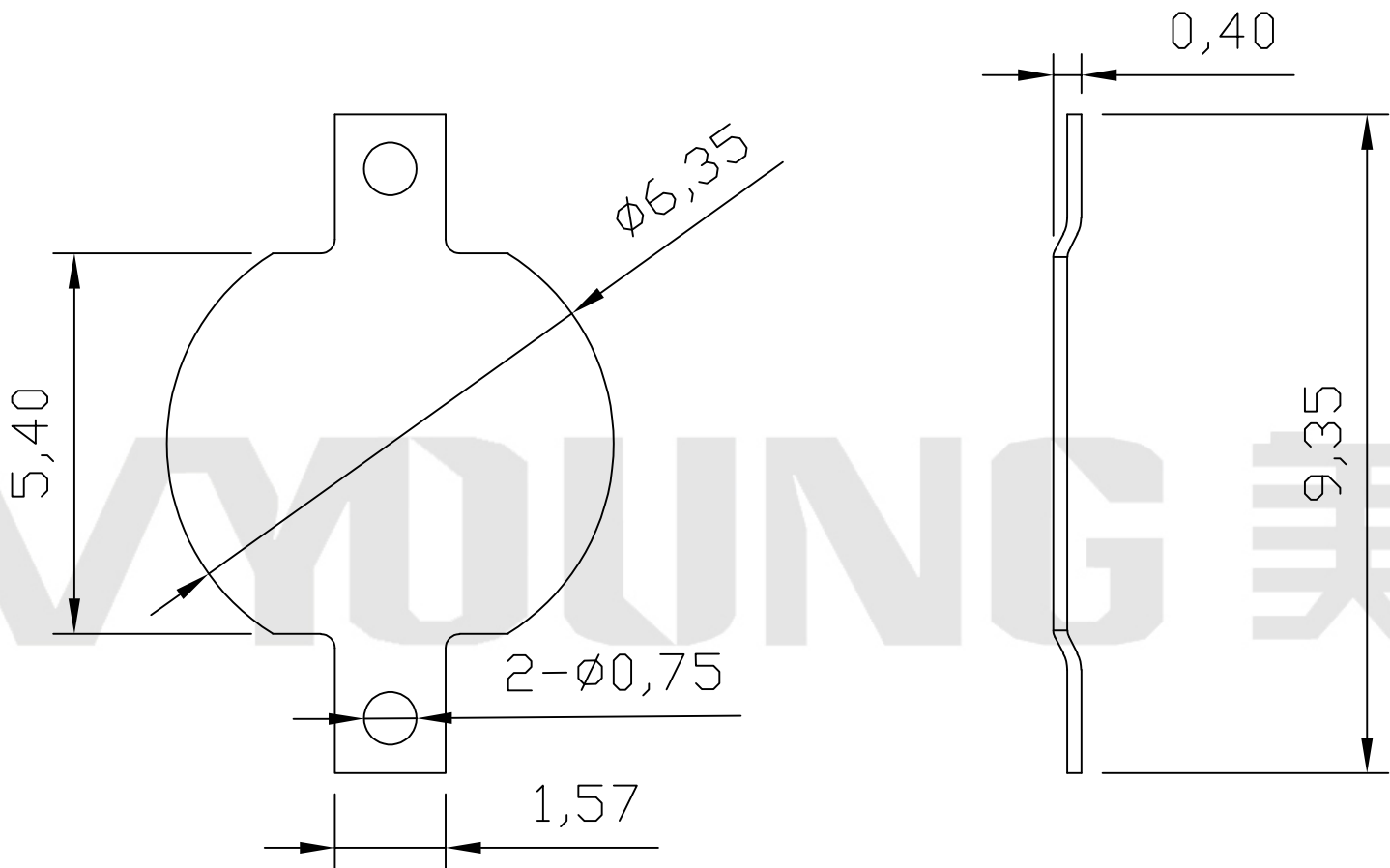




REV.	ECN NO.	REVISED	DATE



工程部
2021-04-05
H. WANG

UNLESS OTHERWISE SPECIFIED TOLERANCES		MYOUNG 美阳 www.meiyangdz.com			
DECIMALS: X :±0.30 X.X :±0.25 X.XX :±0.20 X.XXX :±0.10	ANGLES: X :±1° X.X :±0.5°	DSND	YangFeng	DATE	2021-04-05
WEIGHT:		CHKD	ZhouRuicai	DATE	2021-04-05
SHEET 1 OF 1		APVD	XueShunyong	DATE	2021-04-05
		SCALE:	SIZE: A4	VIEW:	
		UNIT: mm	REV.: A/0	OBJECT: MY	
		TITLE:		钮扣电池通用负极片01 镀镍	
		PART NO.:		MY-FJ-04-J	
		DRAW NO.:		WD-CP-0269	

1	TERMINAL(-)	1	BRASS, T=0.2MM	Ni-Plating
NO.	PART NAME	Q'TY	MATERIAL	PLATING & COLOR