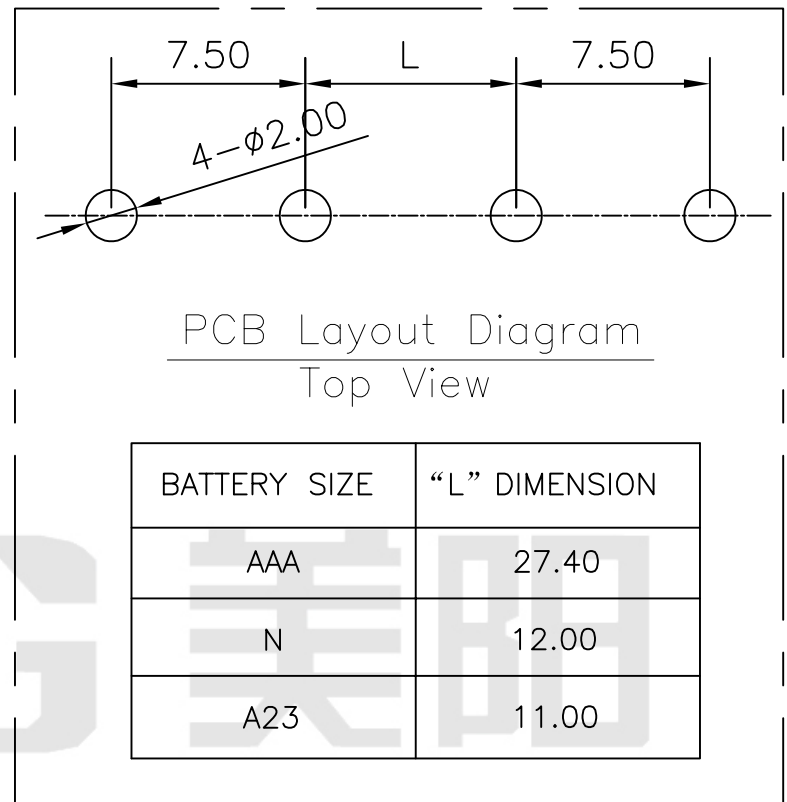
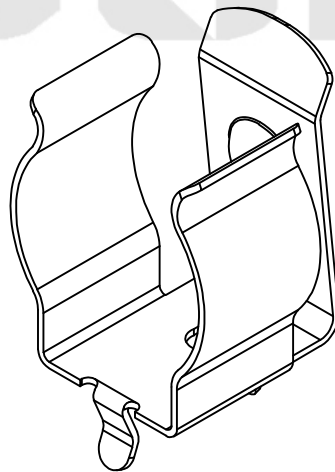
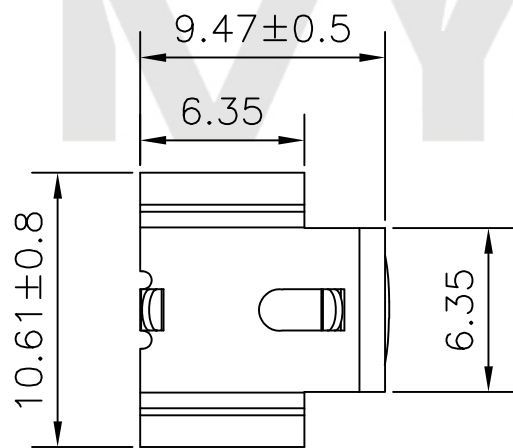
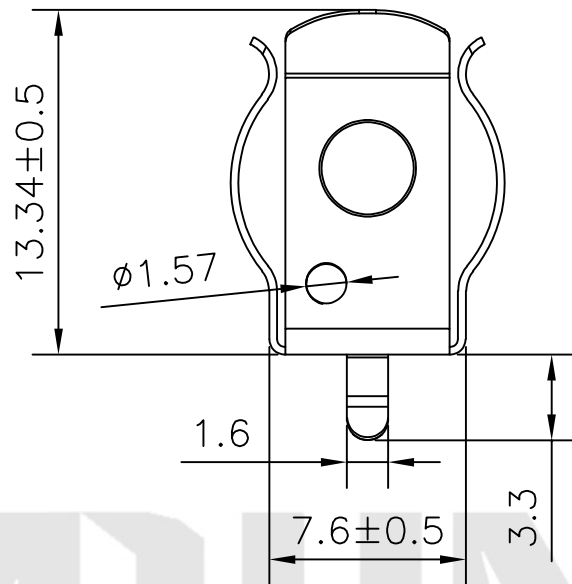
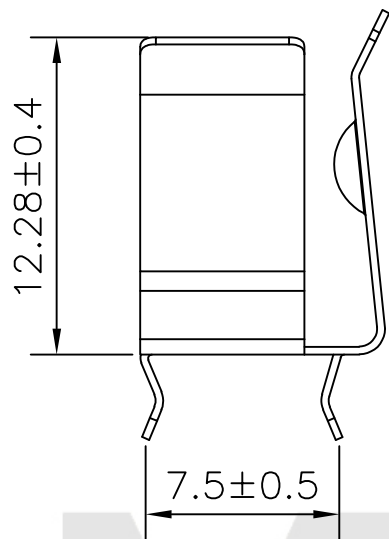




REV.	ECN NO.	REVISED	DATE



工程部
2023-02-24
H. WANG

UNLESS OTHERWISE SPECIFIED TOLERANCES		MYOUNG 美用 www.meiyangdz.com			
DECIMALS: X :±0.30 X.X :±0.25 X.XX :±0.20 X.XXX :±0.10	ANGLES: X :±1° X.X :±0.5°	DSND	YangFeng	DATE	2023-02-24
		CHKD	ZhouRuicai	DATE	2023-02-24
		APVD	XueShunyong	DATE	2023-02-24
		WEIGHT:	SCALE:	SIZE: A4	VIEW:
		SHEET 1 OF 1	UNIT: mm	REV.: A/0	OBJECT: MY
TITLE: 3A电池夹 弯脚 DIP					
PART NO.: MY-AAA-17-J					
DRAW NO.:WD-CP-0268					

1	TERMINAL	1	SPRING STEEL , T=0.3mm	Ni-Plating
NO.	PART NAME	Q'TY	MATERIAL	PLATING & COLOR