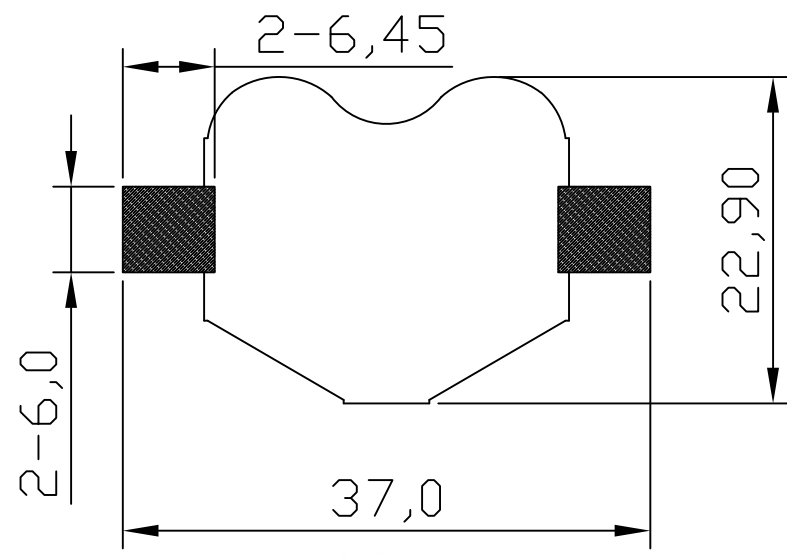
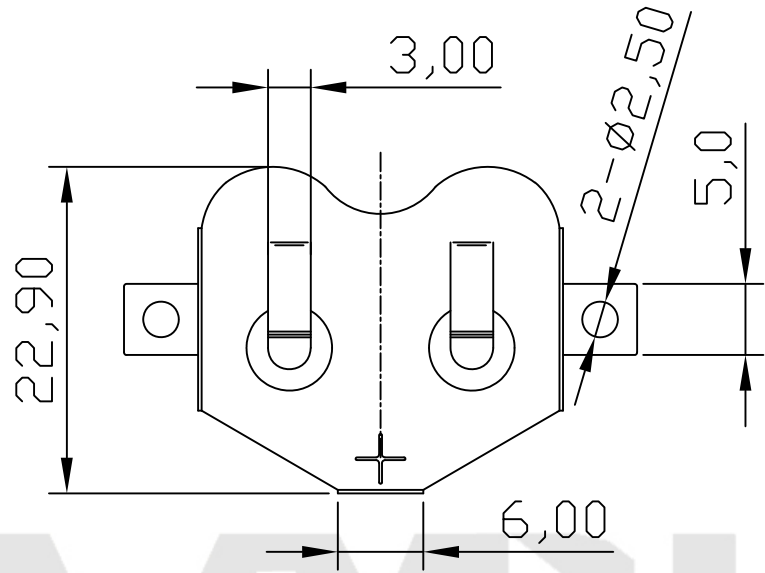
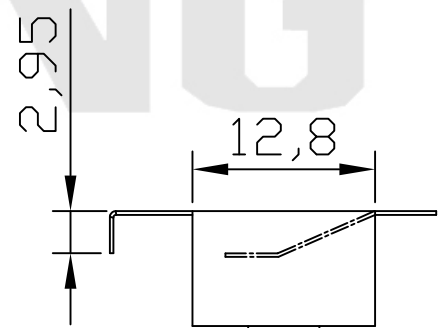
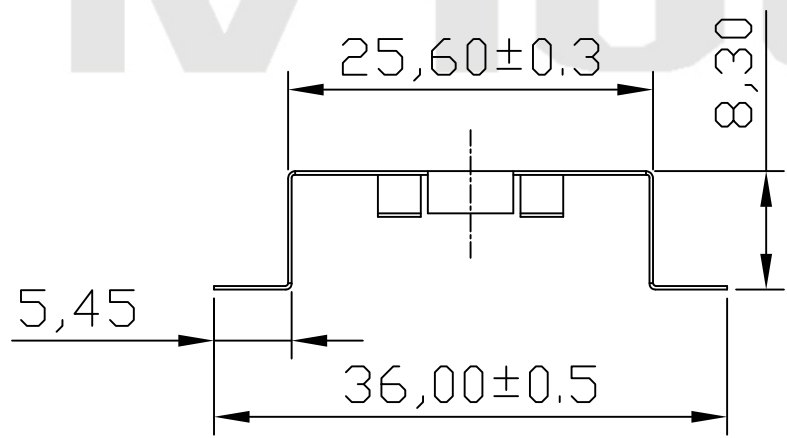




REV.	ECN NO.	REVISED	DATE



PCB Layout Diagram
Top View



工程部
2021-04-26
H. WANG

UNLESS OTHERWISE SPECIFIED TOLERANCES		MYOUNG 美阳 www.meiyangdz.com			
DECIMALS: X :±0.30 X.X :±0.25 X.XX :±0.20 X.XXX :±0.10	ANGLES: X :±1° X.X :±0.5°	DSND	YangFeng	DATE	2021-04-26
		CHKD	ZhouRuicai	DATE	2021-04-26
		APVD	XueShunyong	DATE	2021-04-26
		WEIGHT:	1.315g	SCALE:	2:1
		SHEET	1 OF 1	SIZE:	A4
		UNIT:	mm	VIEW:	⊙ ⊚
		REV.:	A/0	OBJECT:	MY
		TITLE:		电池扣CR2477-W SMT	
		PART NO.:		MY-2477-02	
		DRAW NO.:WD-CP-0145			

1	TERMINAL(+)	1	C5191, T=0.25mm	Ni-Plating
NO.	PART NAME	Q'TY	MATERIAL	PLATING & COLOR