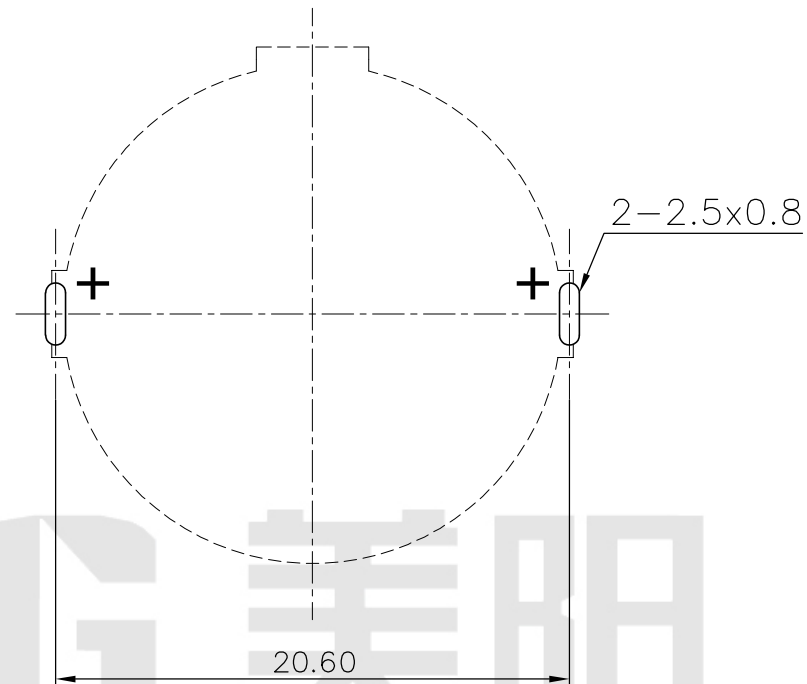
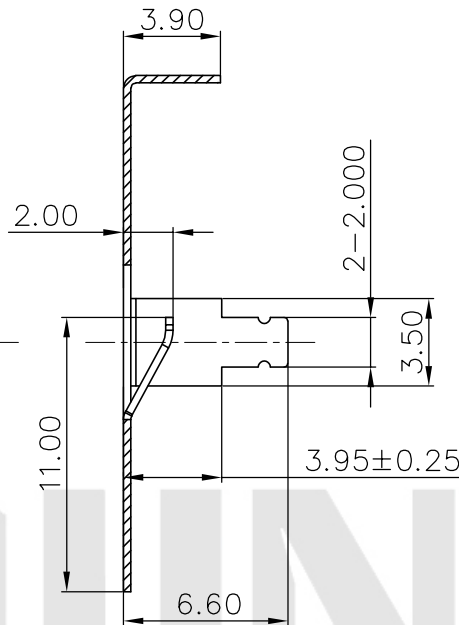
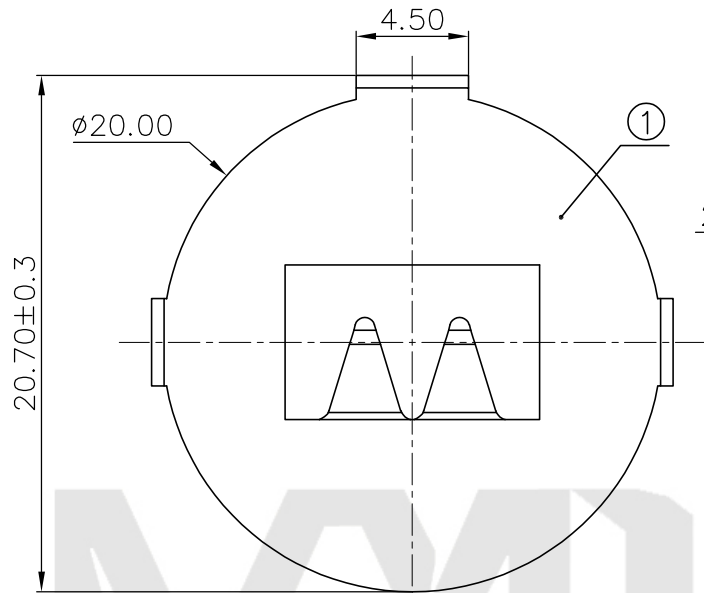
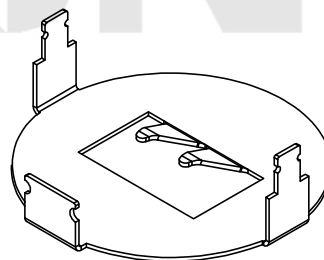
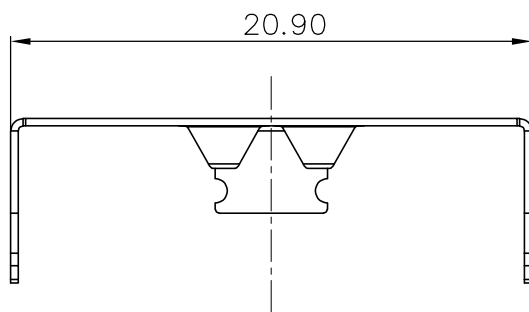




REV.	ECN NO.	REVISED	DATE



PCB Layout Diagram  
Top View



工程  
部  
2022-03-02  
LQ. HUANG

UNLESS OTHERWISE SPECIFIED TOLERANCES		<b>MYOUNG 美阳</b> <a href="http://www.meiyangdz.com">www.meiyangdz.com</a>			
DECIMALS: X :±0.30 X.X :±0.25 X.XX :±0.20 X.XXX :±0.10	ANGLES: X :±1° X.X :±0.5°	DSND	YangFeng	DATE	2022-03-02
WEIGHT: g		CHKD	ZhouRuicai	DATE	2022-03-02
SHEET 1 OF 1		APVD	XueShunyong	DATE	2022-03-02
NO.		SCALE: UNIT: mm		SIZE: A4	VIEW:
PART NAME		REV.: A/0		OBJECT: MY	TITLE: 电池扣CR2032-2Y DIP
Q'TY		DRAW NO.:MY-CP-0096		PART NO.: MY-2032-02	
MATERIAL		REVISIONS		DATE	
PHOSPHOR BRONZE, T=0.30mm					
Ni-Plating					
PLATING & COLOR					

1	TERMINAL(+)	1	PHOSPHOR BRONZE, T=0.30mm	Ni-Plating
NO.	PART NAME	Q'TY	MATERIAL	PLATING & COLOR