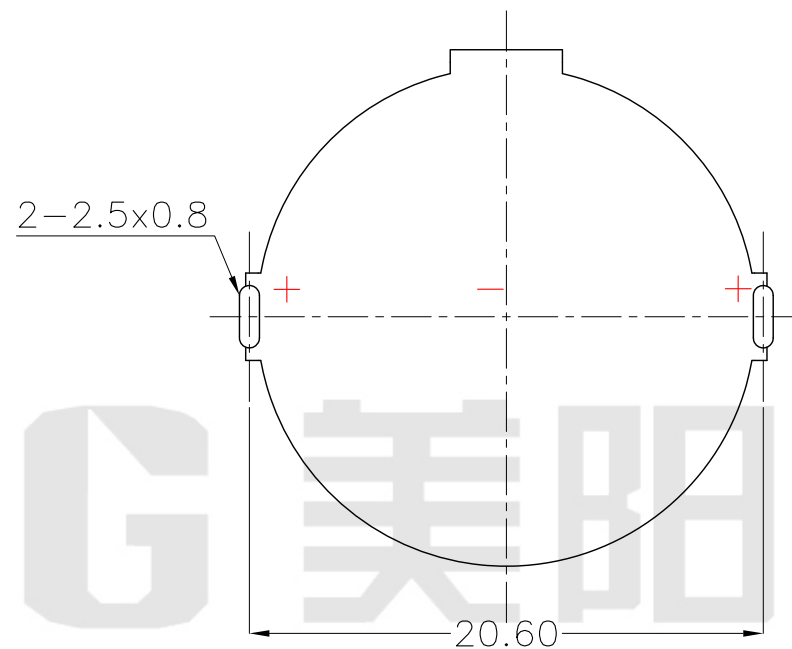
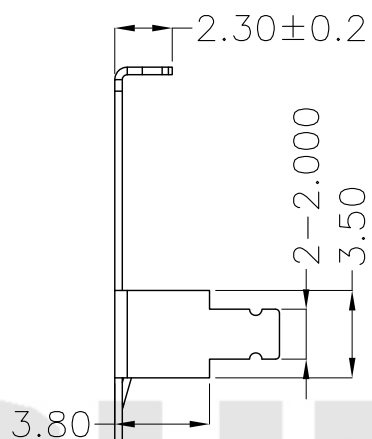
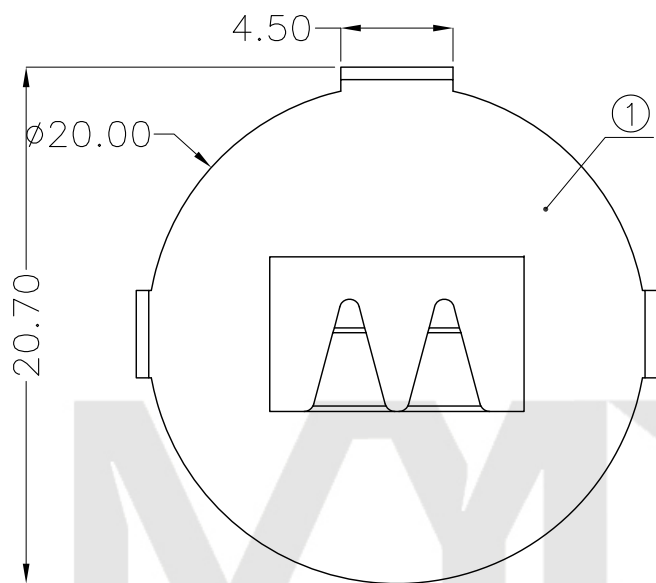
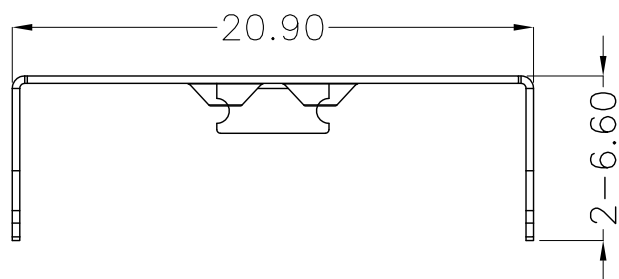




REV.	ECN NO.	REVISED	DATE



PCB Layout Diagram
Top View



工程部
2020-11-14
LQ. HUANG

UNLESS OTHERWISE SPECIFIED TOLERANCES		MYOUNG 美阳 www.meiyangdz.com			
DECIMALS: X :±0.30 X.X :±0.25 X.XX :±0.20 X.XXX :±0.10	ANGLES: X :±1° X.X :±0.5°	DSND	YangFeng	DATE	2020-11-14
WEIGHT:0.88g		CHKD	ZhouRuicai	DATE	2020-11-14
SHEET 1 OF 1		APVD	XueShunyong	DATE	2020-11-14
TITLE:		电池扣CR2032-2Y1			
PART NO.:		MY-2032-21			
DRAW NO.:		MY-CP-0243			

1	TERMINAL(+)	1	PHOSPHOR BRONZE, T=0.30mm	Ni-Plating
NO.	PART NAME	Q'TY	MATERIAL	PLATING & COLOR