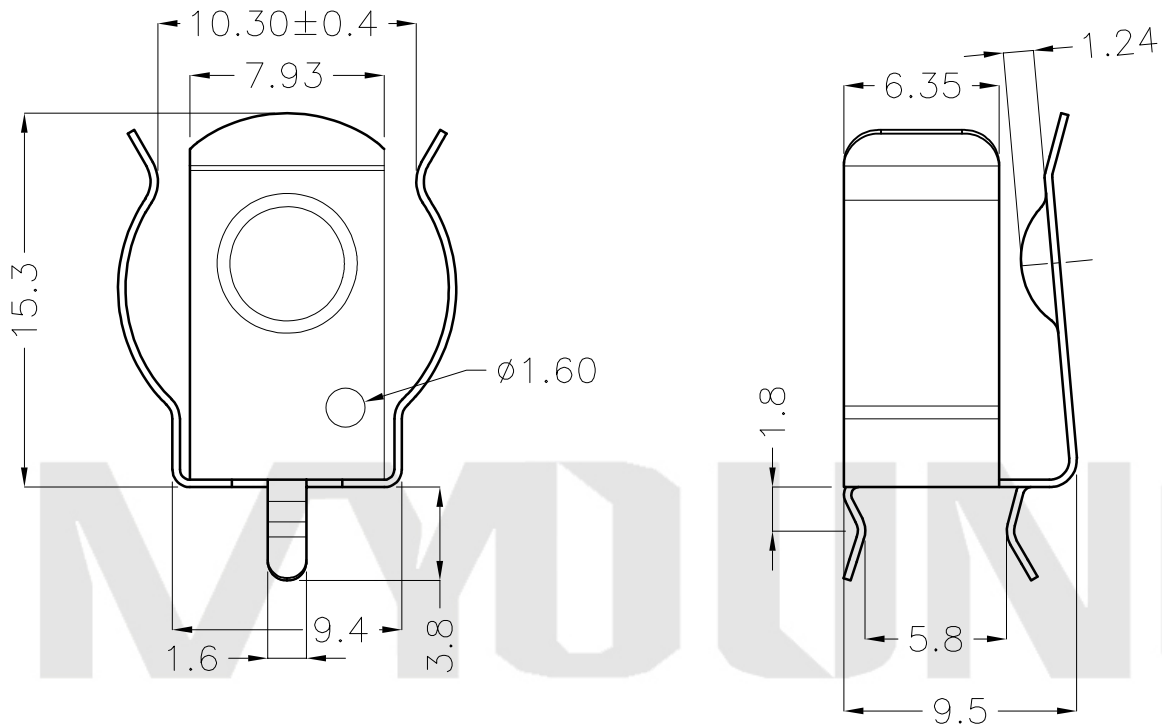


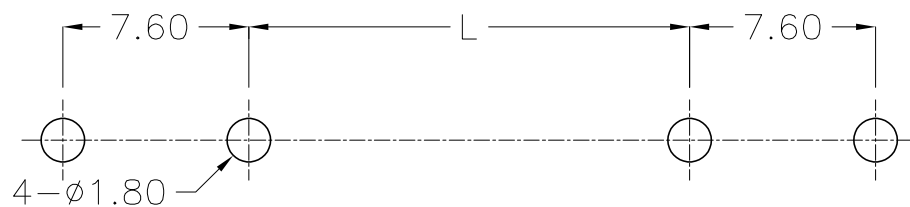


REV.	ECN NO.	REVISED	DATE



工程部
2019-05-27
LQ. HUANG

BATTERY SIZE	"L" DIMENSION
AA	33.5 MM
"1/2AA"	7.9 MM



PCB Layout Diagram
Top View

UNLESS OTHERWISE SPECIFIED TOLERANCES		MYOUNG 美用 www.meiyangdz.com	
DECIMALS: X :±0.30 X.X :±0.25 X.XX :±0.20 X.XXX :±0.10	ANGLES: X :±1° X.X :±0.5°	DSND YangFeng	DATE 2019-05-27
WEIGHT:g		CHKD ZhouRuicai	DATE 2019-05-27
SHEET 1 OF 1		APVD XueShunyong	DATE 2019-05-27
		SCALE:2.5:1	SIZE: A4
		UNIT: mm	REV.: A/0
		VIEW:	OBJECT: MY
		TITLE: 2A电池夹 DIP	
		PART NO.: MY-AA-07	
		DRAW NO.:WD-CP-0112	

1	TERMINAL(+)	1	Mn Steel T=0.30MM	Ni-Plating
NO.	PART NAME	Q'TY	MATERIAL	PLATING & COLOR