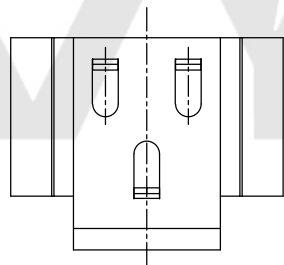
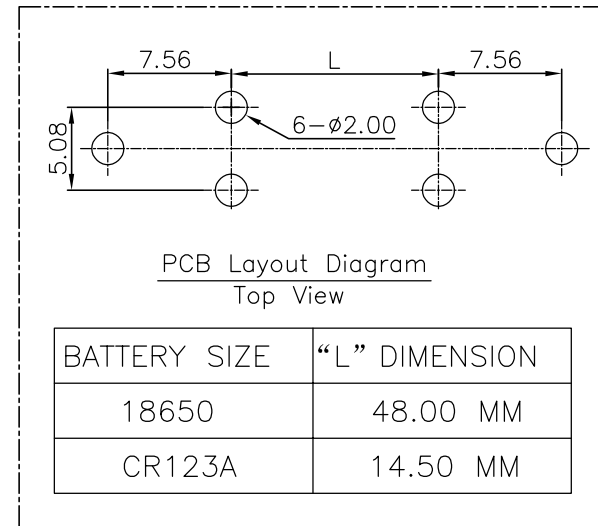
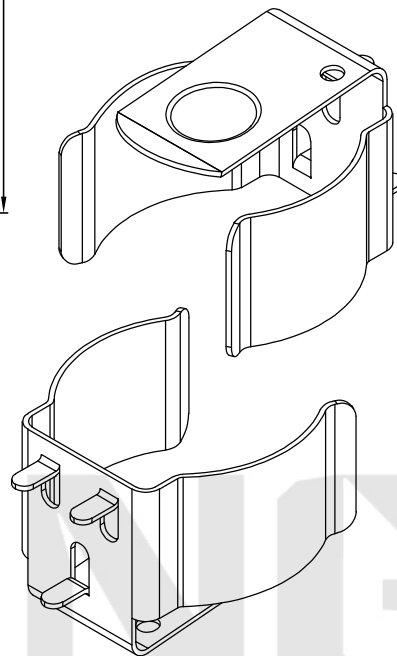
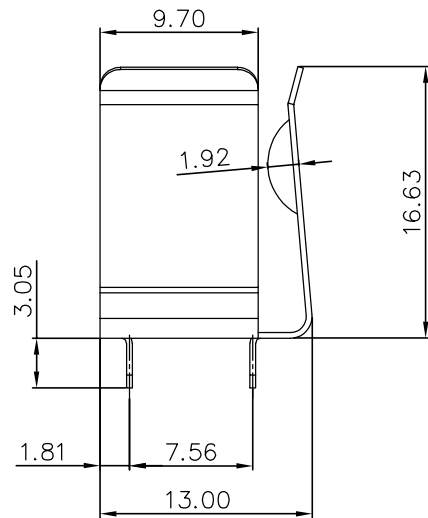
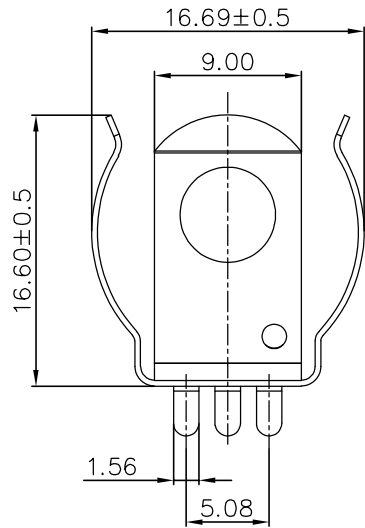




REV.	ECN NO.	REVISED	DATE



工程部
2023-05-22
LQ. HUANG

UNLESS OTHERWISE SPECIFIED TOLERANCES		MYOUNG 美阳 www.meiyangdz.com	
DECIMALS: X :±0.30 X.X :±0.25 X.XX :±0.20 X.XXX :±0.10	ANGLES: X :±1° X.X :±0.5°	DSND YangFeng	DATE 2023-05-22
		CHKD ZhouRuicai	DATE 2023-05-22
		APVD XueShunyong	DATE 2023-05-22
		SCALE: 2.5:1	SIZE: A4
		VIEW:	
		UNIT: mm	REV.: A/0
		OBJECT: MY	
		TITLE: 18650电池夹 DIP	
		PART NO.: MY-18650-01	
		DRAW NO.: MY-CP-0351	

1	TERMINAL	1	Mn STEEL , T=0.35mm	Ni-Plating
NO.	PART NAME	Q'TY	MATERIAL	PLATING & COLOR