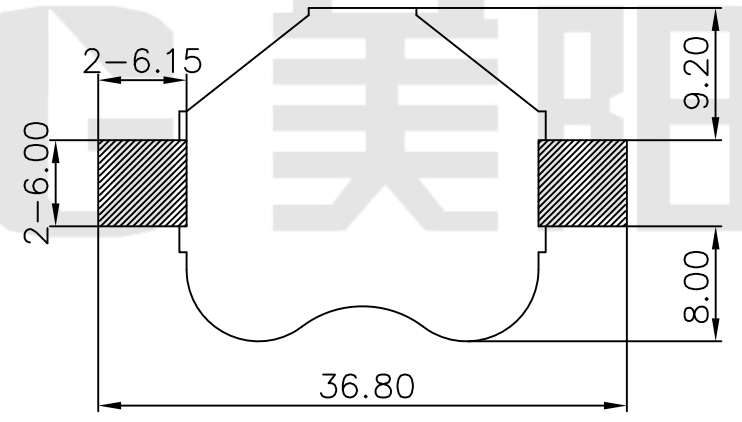
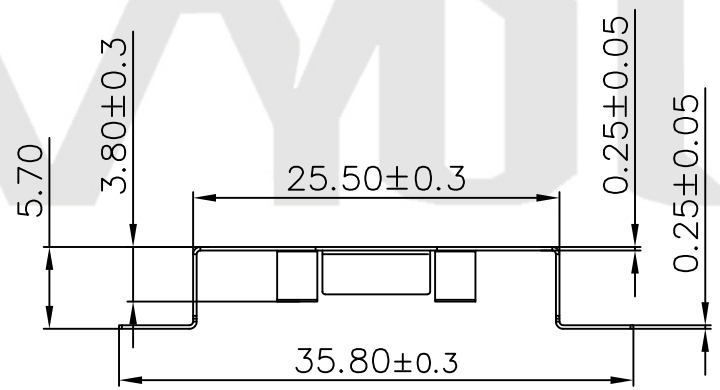
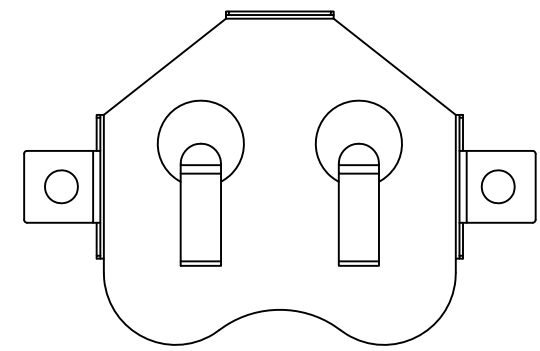
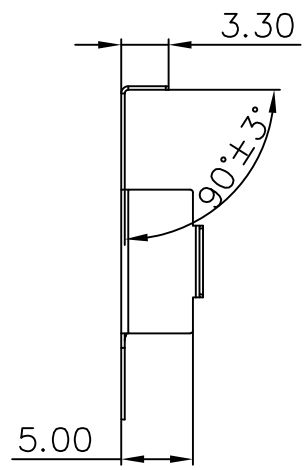
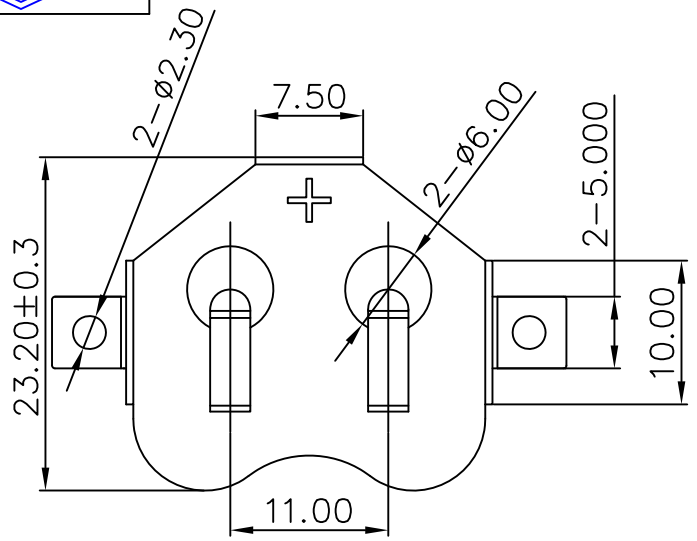




REV.	ECN NO.	REVISED	DATE



工程部
2020-03-18
LQ. HUANG

PCB Layout Diagram
Top View

UNLESS OTHERWISE SPECIFIED TOLERANCES		MYOUNG 美阳 www.meiyangdz.com			
DECIMALS: X :±0.30 X.X :±0.25 X.XX :±0.20 X.XXX :±0.10	ANGLES: X :±1° X.X :±0.5°	DSND	YangFeng	DATE	2020-03-18
WEIGHT: 1.315g		CHKD	ZhouRuicai	DATE	2020-03-18
SHEET 1 OF 1		APVD	XueShunyong	DATE	2020-03-18
		SCALE:	2:1	SIZE:	A4
		UNIT:	mm	REV.:	A/0
		VIEW:	⊙ ⊚	OBJECT:	MY
		TITLE:		电池扣CR2450-W	
		PART NO.:		MY-2450-01	
		DRAW NO.:MY-CP-0106			

1	TERMINAL(+)	1	C5191, T=0.25±0.05mm	3μm-6.5μm Ni-Plating
NO.	PART NAME	Q'TY	MATERIAL	PLATING & COLOR