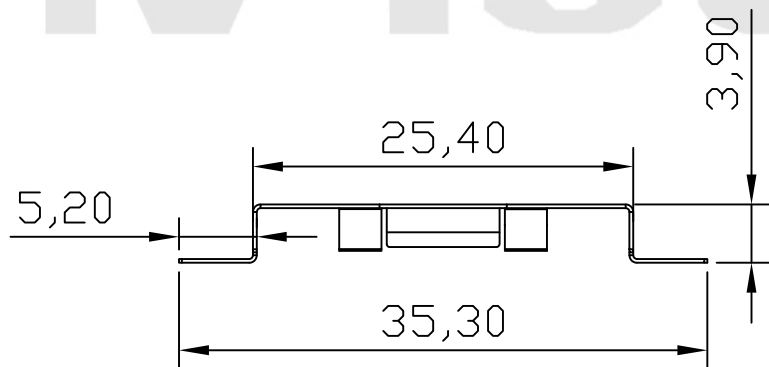
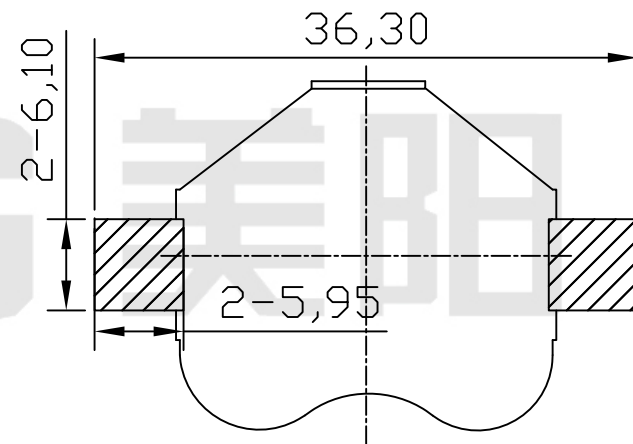
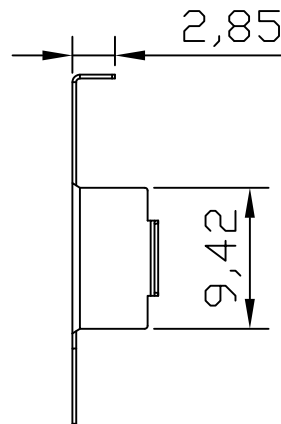
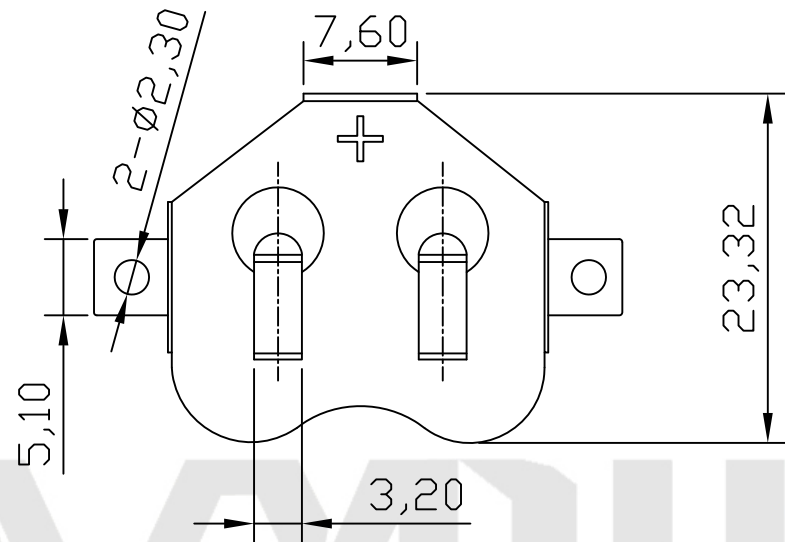




REV.	ECN NO.	REVISED	DATE



工程部  
2020-07-14  
H. WANG

PCB Layout Diagram  
Top View

UNLESS OTHERWISE SPECIFIED TOLERANCES		<b>MYOUNG 美阳</b> www.meiyangdz.com			
DECIMALS: X :±0.30 X.X :±0.25 X.XX :±0.20 X.XXX :±0.10	ANGLES: X :±1° X.X :±0.5°	DSND	YangFeng	DATE	2020-07-14
WEIGHT: 1.315g		CHKD	ZhouRuicai	DATE	2020-07-14
SHEET 1 OF 1		APVD	XueShunyong	DATE	2020-07-14
SCALE: 2:1		SIZE: A4	VIEW:	TITLE: 电池扣CR2430-W SMT	
UNIT: mm		REV.: A/0	OBJECT: MY	PART NO.: MY-2430-04	
				DRAW NO.:WD-CP-0089	

1	TERMINAL(+)	1	C5191, T=0.25mm	Ni-Plating
NO.	PART NAME	Q'TY	MATERIAL	PLATING & COLOR