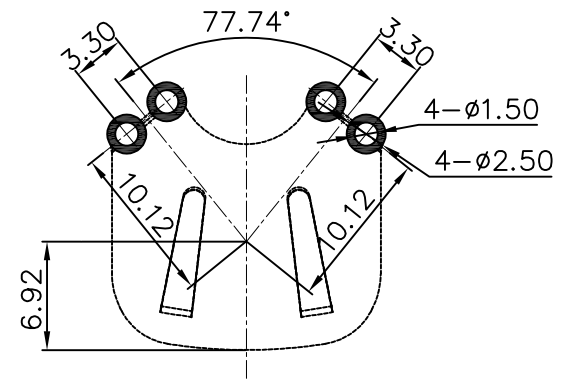
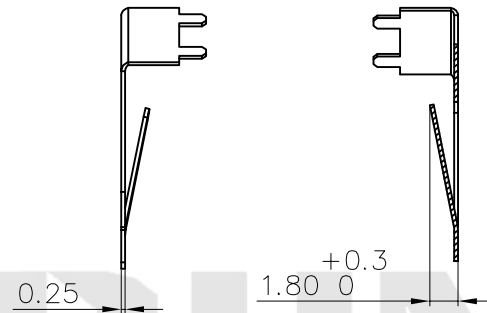
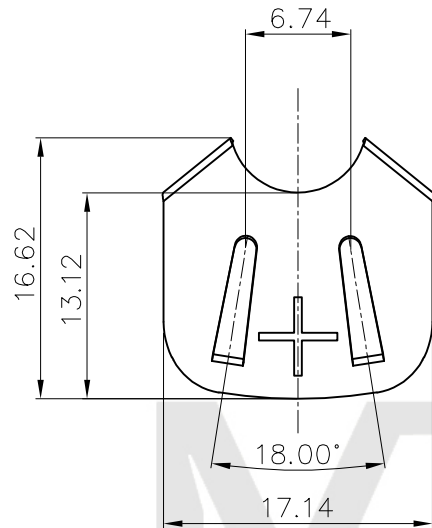
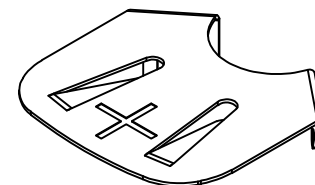
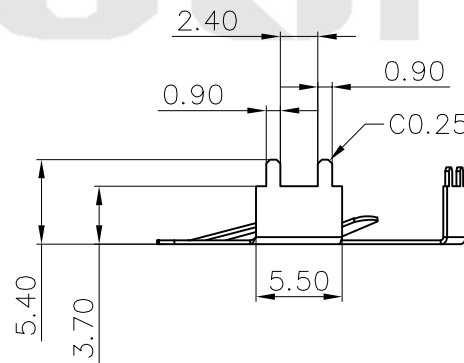
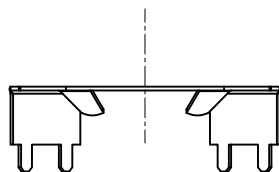




REV.	ECN NO.	REVISED	DATE



PCB Layout Diagram
Top View



工程部
2021-12-22
LQ. HUANG

技术要求:

- 1、截剪断面毛刺高度 $\leq 0.03\text{mm}$;
- 2、部件要求平整,无变形、裂纹、损伤等外观缺陷;

UNLESS OTHERWISE SPECIFIED TOLERANCES		MYOUNG 美阳 www.meiyangdz.com			
DECIMALS: X :±0.30 X.X :±0.25 X.XX :±0.20 X.XXX :±0.10	ANGLES: X :±1° X.X :±0.5°	DSND	YangFeng	DATE	2021-12-22
WEIGHT:		CHKD	ZhouRuicai	DATE	2021-12-22
SHEET 1 OF 1		APVD	XueShunyong	DATE	2021-12-22
		SCALE:	SIZE: A4	VIEW:	
		UNIT: mm	REV.: A/0	OBJECT: MY	TITLE: 电池扣CR2032-L Ni DIP
				PART NO.:	MY-2032-27
				DRAW NO.:	MY-CP-0290

1	TERMINAL+	1	C67 STEEL hardening 48-50	Ni(15um)-Plating
NO.	PART NAME	Q'TY	MATERIAL	PLATING & COLOR