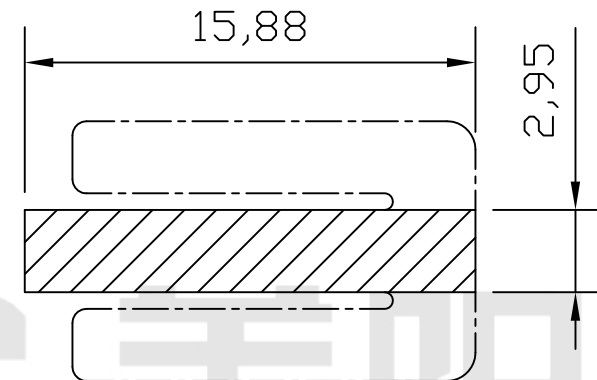
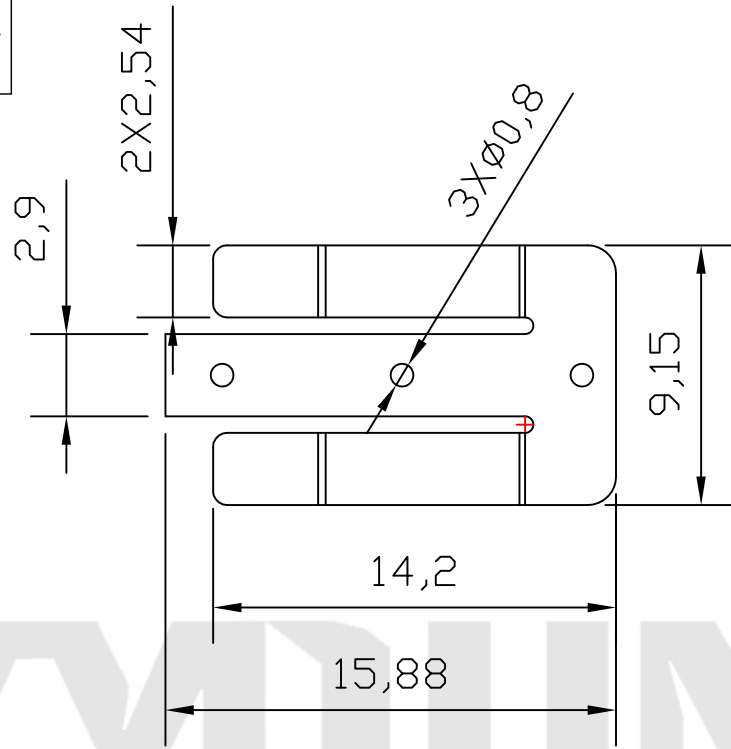
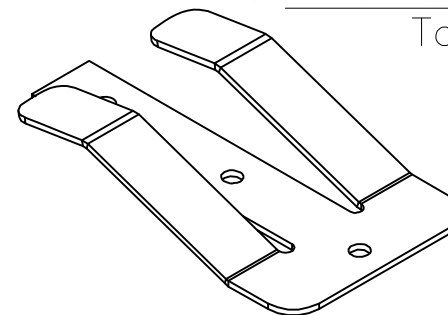
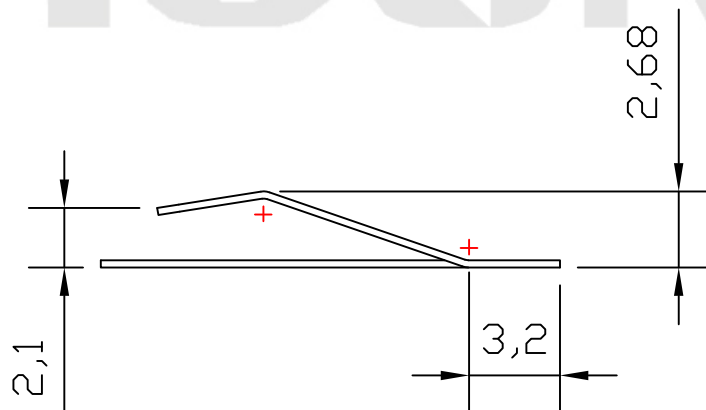
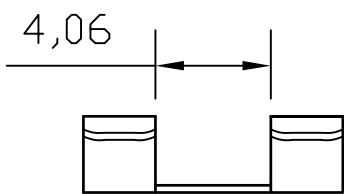




| | | | |
|------|---------|---------|------|
| REV. | ECN NO. | REVISED | DATE |
| | | | |



PCB Layout Diagram
Top View



| | | | |
|--|---------------------------------|---|-----------------|
| UNLESS OTHERWISE SPECIFIED TOLERANCES | | MYOUNG 美阳 www.meiyangdz.com | |
| DECIMALS: X :±0.30 X.X :±0.25 X.XX :±0.20 X.XXX :±0.10 | ANGLES: X :±1° X.X :±0.5° | DSND YangFeng | DATE 2019-08-06 |
| WEIGHT: | | CHKD ZhouRuicai | DATE 2019-08-06 |
| SHEET 1 OF 1 | | APVD XueShunyong | DATE 2019-08-06 |
| | | SCALE: | SIZE: A4 |
| | | UNIT: mm | VIEW: |
| | | REV.: A/0 | OBJECT: MY |
| | | TITLE: 电池弹片-120 SMT 负极 | |
| | | PART NO.: MY-FJ-120 | |
| | | DRAW NO.:WD-CP-0063 | |

| | | | | |
|-----|-----------|------|-----------------|-----------------|
| 1 | TERMINAL | 1 | STEEL, T=0.25mm | Sn-Plating |
| NO. | PART NAME | Q'TY | MATERIAL | PLATING & COLOR |