



REV.	ECN NO.	REVISED	DATE

NOTE:

- 1.MATERIAL:  
 a.HOUSING:PA66 UL94V-0  
 b.CONTACT:BRASS  
 (SURFACE PLATING: Ni100u"~120u")  
 SEE ORDERING INFORMATION

- 2.ELECTRIC:  
 a.CONTACT RESISTANCE: 30 MILLIOHMS MAX  
 b.INSULATION RESISTANCE: 1000 MEGA OHMS MIN  
 c.DIELECTNIC VOLTAGE: 500V AC ONE SEC LEVEL  
 d.OPERATING TEMPERATURE: -25° C~ +85° C

ORDERING INFORMATION

BS-04-A\*\*\*005

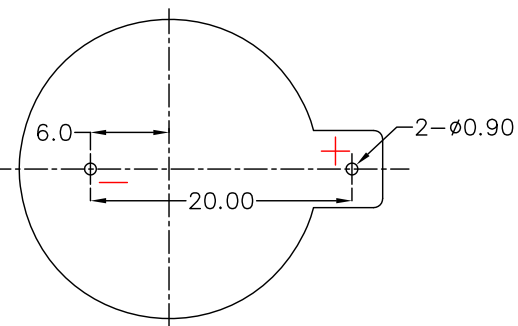
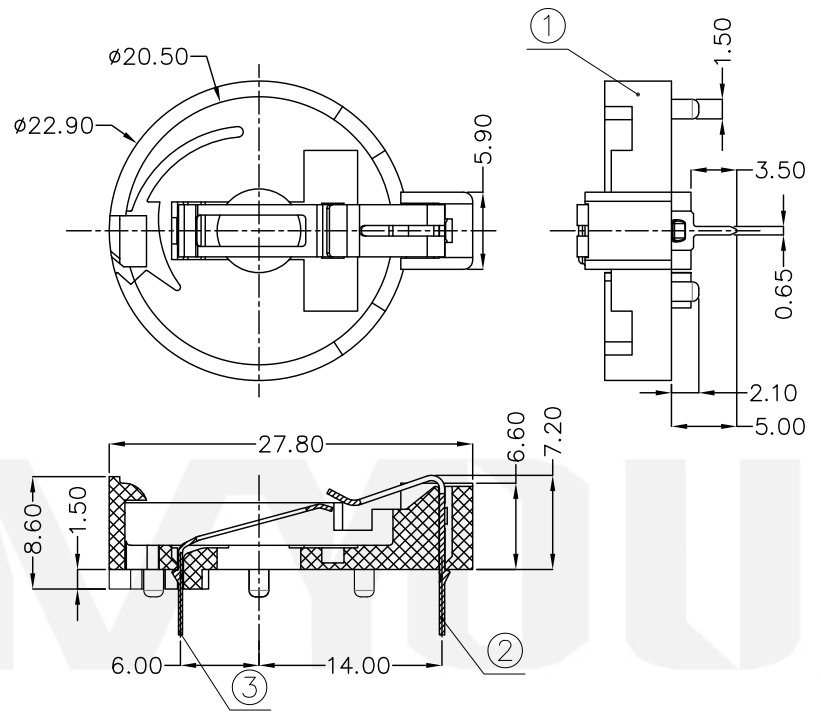
电池座系列

BS-04系列

DIP 90° TYPE

PLATING:  
 A-Au1U"  
 J-Ni100U"~120U"  
 K-Sn100U"~120U"

MATERIAL:  
 1A-PBT BLACK  
 1B-PA66 BLACK  
 2A-PPA BROWN  
 2B-PPA BLACK  
 3A-PPS BROWN  
 3B-PPS BLACK  
 4A-LCP WHITE  
 4B-LCP BLACK



PCB Layout Diagram  
Top View



3	TERMINAL(-)	1	BRASS T=0.3	Ni-Plating
2	TERMINAL(+)	1	BRASS T=0.4	Ni-Plating
1	HOUSING	1	PA66 UL94V-0	BLACK
NO.	PART NAME	Q'TY	MATERIAL	PLATING & COLOR

UNLESS OTHERWISE SPECIFIED TOLERANCES		<b>MYOUNG 美阳</b> <a href="http://www.meiyangdz.com">www.meiyangdz.com</a>	
DECIMALS: X :±0.30 X.X :±0.25 X.XX :±0.20 X.XXX :±0.10	ANGLES: X :±1° X.X :±0.5°	DSND YangFeng	DATE 2018-05-07
WEIGHT:		CHKD ZhouRuicai	DATE 2018-05-07
SHEET 1 OF 1		APVD XueShunyong	DATE 2018-05-07
SCALE:		SIZE: A4	VIEW:
UNIT: mm		REV.: A/0	OBJECT: MY
TITLE:		BS-2032-4-2 Ni DIP	
PART NO.:		BS-04-A1BJ005	
DRAW NO.:		MY-CP-0143	